

Authorised Dealers & Stockist :

Estd. Since 1974.



**M/S Union Engineering Co.**

16, Pankaj 'A', LBS Marg, Opp. Indradeep Society,  
Ghatkopar - West. Mumbai - 400 086.

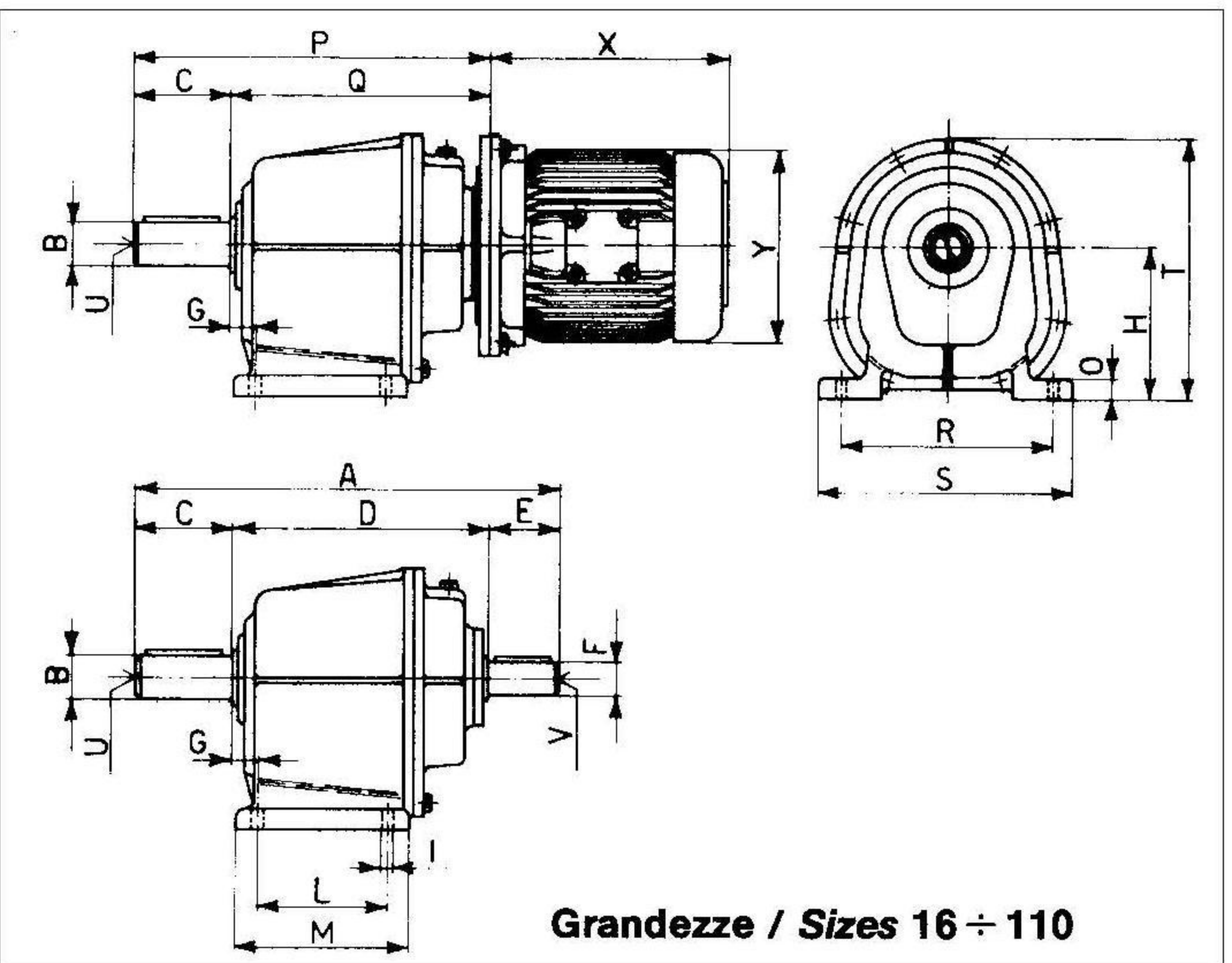
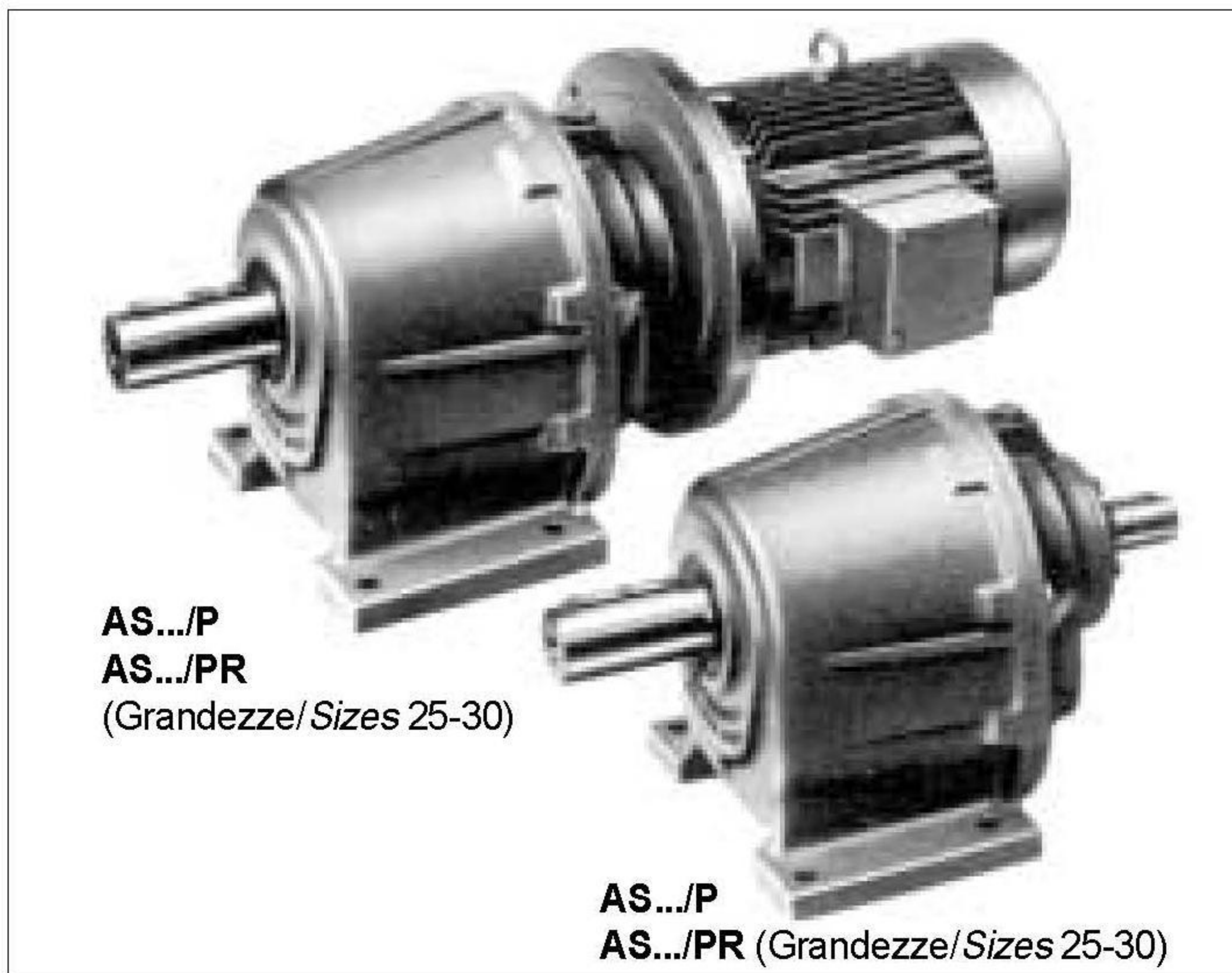
Ph : +91 - 22 - 25133850. Fax : +91 - 22 - 25133850.

Email : unionengg@gmail.com, union\_engg@yahoo.co.in.

Website : www.unionengg.in

**DIMENSIONI D'INGOMBRO ...P/PR**

**OVERALL DIMENSIONS ...P/PR**



		AS.../P		AS.../DP		AS.../P - AS.../DP													AS.../P AS.../DP																
		P	Q	P	Q	Bh6	C	G	H	I	L	M	O	R	S	T	U	A	D	E	Fh6	V	Kg.												
16	63	170	130			16	40	18	85	9	50	80	12	110	135	146	M6	206	126	40	16	M6	3,4												
	71	170	130			(14)	(30)										(M5)																		
20	63	195	155	194	154	20	40	18	100	11	60	95	14	130	155	173	M8	233	153	40	19	M6	6,4												
	71	195	155	194	154													230	150	40	16	M6	6												
	80	200	160																																
25	63			214	164	25	50	18	110	11	70	105	16	160	190	190	M8	252	162	40	19	M6	14												
	71	214	164	214	164													250	160	40	16	M6	13,5												
	80	219	169																																
30	71	284	224	276	216	30	60	20	130	14	105	143	18	180	215	220	M10	329	219	50	24	M8	23												
	80	284	224	281	221													314	214	40	19	M6	22,5												
	90	284	224	281	221																														
35	100-112	284	224																																
	71	304	224	296	216	35	80	20	130	14	105	143	18	180	215	220	M10	349	219	50	24	M8	24												
	80	304	224	301	221													334	214	40	19	M6	23,5												
	90	304	224	301	221																														
100-112	304	224																																	
45	71			350	260	45	90	25	155	18	110	164	22	225	270	265	M12	395	245	60	28	M10	40												
	80			350	260													395	255	50	24	M8	35												
	90	340	250	350	260																														
	100-112	340	250	350	260																														
55	132	360	270																																
	80			418	308	55	110	25	175	18	145	198	25	250	300	307	M16	505	315	80	38	M12	61												
	90			418	308													475	305	60	28	M10	56												
	100-112	430	320	418	308																														
132	430	320	438	328																															
60	160	460	320																																
	80-90			457	337	60	120	25	210	22	165	224	30	300	350	360	M16	575	345	110	42	M12	91												
	100-112			457	337													535	335	80	38	M12	86												
	132	470	350	477	337																														
160	495	375																																	
80	180	495	375																																
	100-112			585	445	80	140	35	250	26	210	290	35	370	440	425	M20	705	445	110	48	M16	152												
	132			585	445													690	440	110	42	M12	147												
	160	600	460	615	475																														
180	600	460																																	
90	200	600	460																																
	225	710	540			90	170	40	300	33	250	340	40	440	520	505	M20	787	507	110	55	M16	239												
	110-112			664	494													770	490	110	48	M16	232												
	132			664	494																														
	160			689	519																														
180	685	515	689	519																															
110	200	685	515			110	210	60	400	38	330	454	50	570	660	665	M24	1040	690	140	75	M20	540												
	225			885	675													1081	731	140	60	M16	535												
	250	900	690	885	675																														
	280	900	690	885	675																														

AS 16 è disponibile su richiesta con albero minorato (vedi quote fra parentesi).

Le dimensioni X e Y variano in funzione della potenza del motore.

AS 16 is available upon request with smaller output shaft (see dimensions between bracket).

Dimensions X and Y vary according to the motor power.

**Authorised Dealers & Stockist :**

Estd. Since 1974.



**M/S Union Engineering Co.**

16, Pankaj 'A', LBS Marg, Opp. Indradeep Society,  
Ghatkopar - West. Mumbai - 400 086.

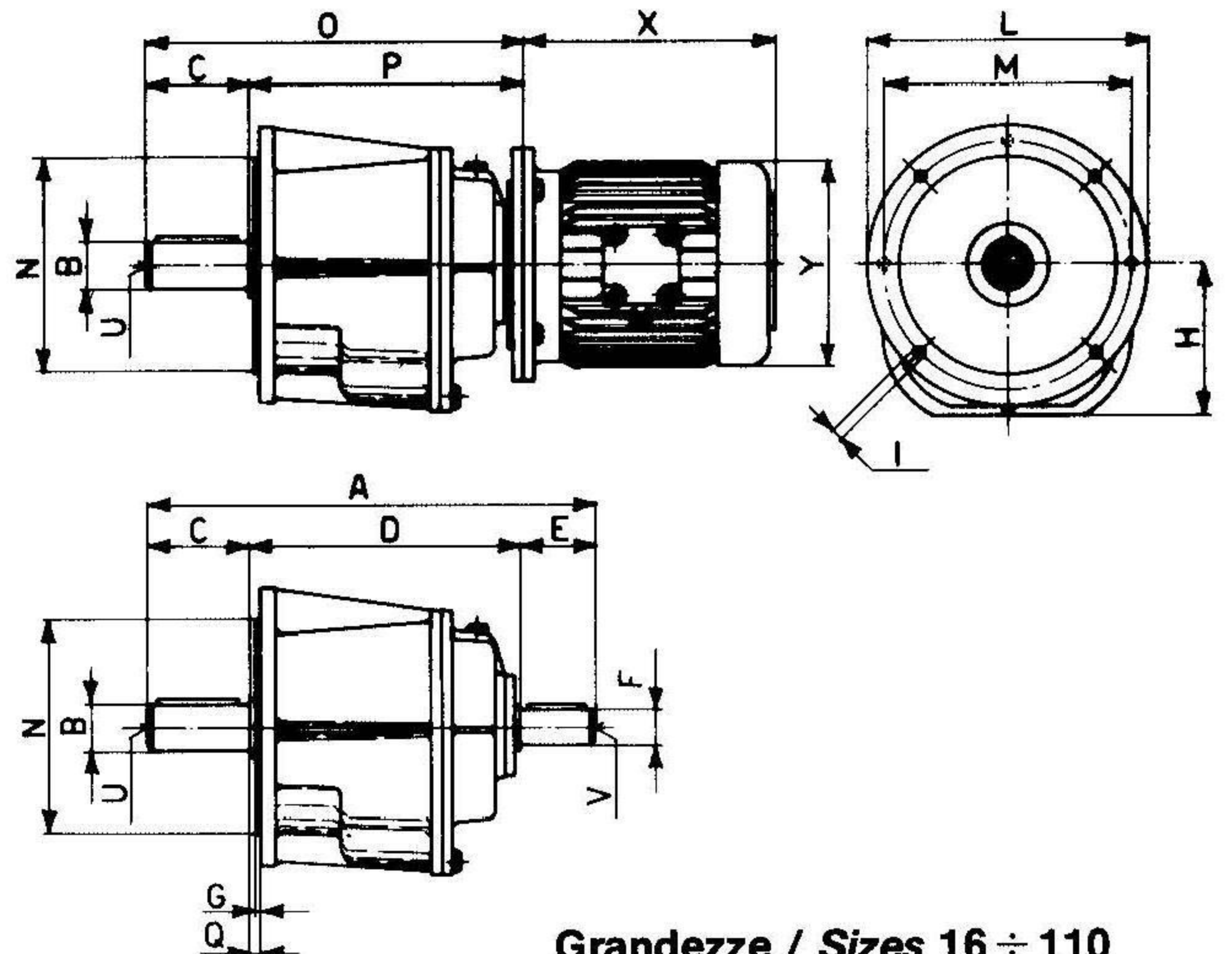
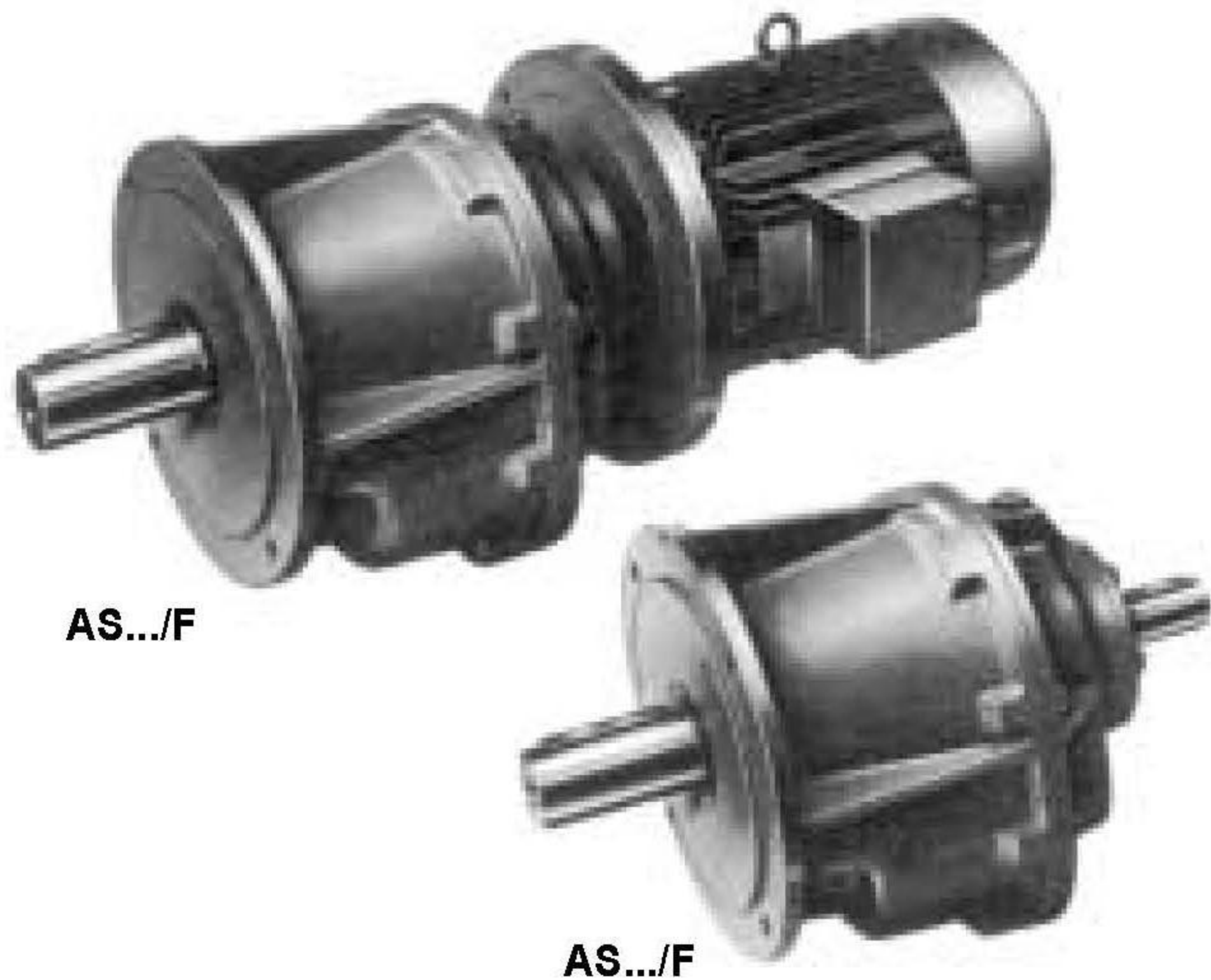
Ph : +91 - 22 - 25133850. Fax : +91 - 22 - 25133850.

Email : unionengg@gmail.com, union\_engg@yahoo.co.in.

Website : www.unionengg.in

**DIMENSIONI D'INGOMBRO .../F**

**OVERALL DIMENSIONS .../F**



**Grandezze / Sizes 16 ÷ 110**

AS.../F	AS.../DF	AS.../F - AS.../DF														AS.../F AS.../DF															
		P	Q	P	Q	Bh6	C	G	H	I	L	M	N	Q	U	A	D	E	Fh6	V	Kg.										
16	63	130	170			16	40	3	83	9,5	140	115	95	6	M6	206	126	40	16	M6	3,4										
	71	130	170			(14)	(30)								(M5)																
20	63	155	195	154	194	20	40	3,5	97	9,5	160	130	110	6,5	M8	233	153	40	19	M6	6,4										
	71	155	195	154	194											230	150	40	16	M6	6										
	80	160	200																												
25	63			164	214	25	50	3,5	107	11,5	200	165	130	6,5	M8	252	162	40	19	M6	14										
	71	164	214	164	214											250	160	40	16	M6	13,5										
	80	169	219																												
30	71	224	284	216	276	30	60	4	127	14	250	215	180	7	M10	329	219	50	24	M8	23										
	80	224	284	221	281											314	214	40	19	M6	22,5										
	90	224	284	221	281																										
35	100-112	224	284																												
	71	224	304	216	296	35	80	4	127	14	250	215	180	7	M10	349	219	50	24	M8	24										
	80	224	304	221	301											334	214	40	19	M6	23,5										
	90	224	304	221	301																										
100-112	224	304																													
45	71			260	350	45	90	5	152	14	300	265	230	8	M12	395	245	60	28	M10	40										
	80			260	350											395	245	60	28	M10	40										
	90	250	340	260	350											395	255	50	24	M8	35										
	100-112	250	340	260	350																										
55	132	270	340																												
	80			308	418	55	110	5	172	14	300	265	230	8	M16	505	315	80	38	M12	61										
	90			308	418											475	305	60	28	M10	56										
	100-112	320	430	308	418																										
132	320	430	328	438																											
60	160	350	460																												
	80-90			337	457	60	120	5	207	18	350	300	250	8	M16	575	345	110	42	M12	91										
	100-112			337	457											535	335	80	38	M12	86										
	132	350	470	357	470																										
160	375	495																													
80	180	375	495																												
	100-112			445	585	80	140	5	245	18	400	350	300	10	M20	705	445	110	48	M16	152										
	132			445	585											690	440	110	42	M12	147										
	160	460	600	475	615																										
180	460	600																													
90	200	460	600																												
	110-112			494	664	90	170	5	296	18	450	400	350	10	M20	787	507	110	55	M16	239										
	132			494	664											770	490	110	48	M16	232										
	160			515	685																										
	180	515	685	519	689																										
200	515	685																													
110	225	540	710																												
	180			675	885	110	210	6	394	22	660	600	550	11	M24	1040	690	140	75	M20	540										
	200			675	885											1081	731	140	60	M16	535										
	225			675	885																										
	250	690	900	675	885																										
280	690	900																													

AS 16 è disponibile su richiesta con albero minorato (vedi quote fra parentesi).

AS 16 is available upon request with smaller output shaft (see dimensions between bracket).

Authorized Dealers & Stockist :

Estd. Since 1974.



**M/S Union Engineering Co.**

16, Pankaj 'A', LBS Marg, Opp. Indradeep Society,  
Ghatkopar - West. Mumbai - 400 086.

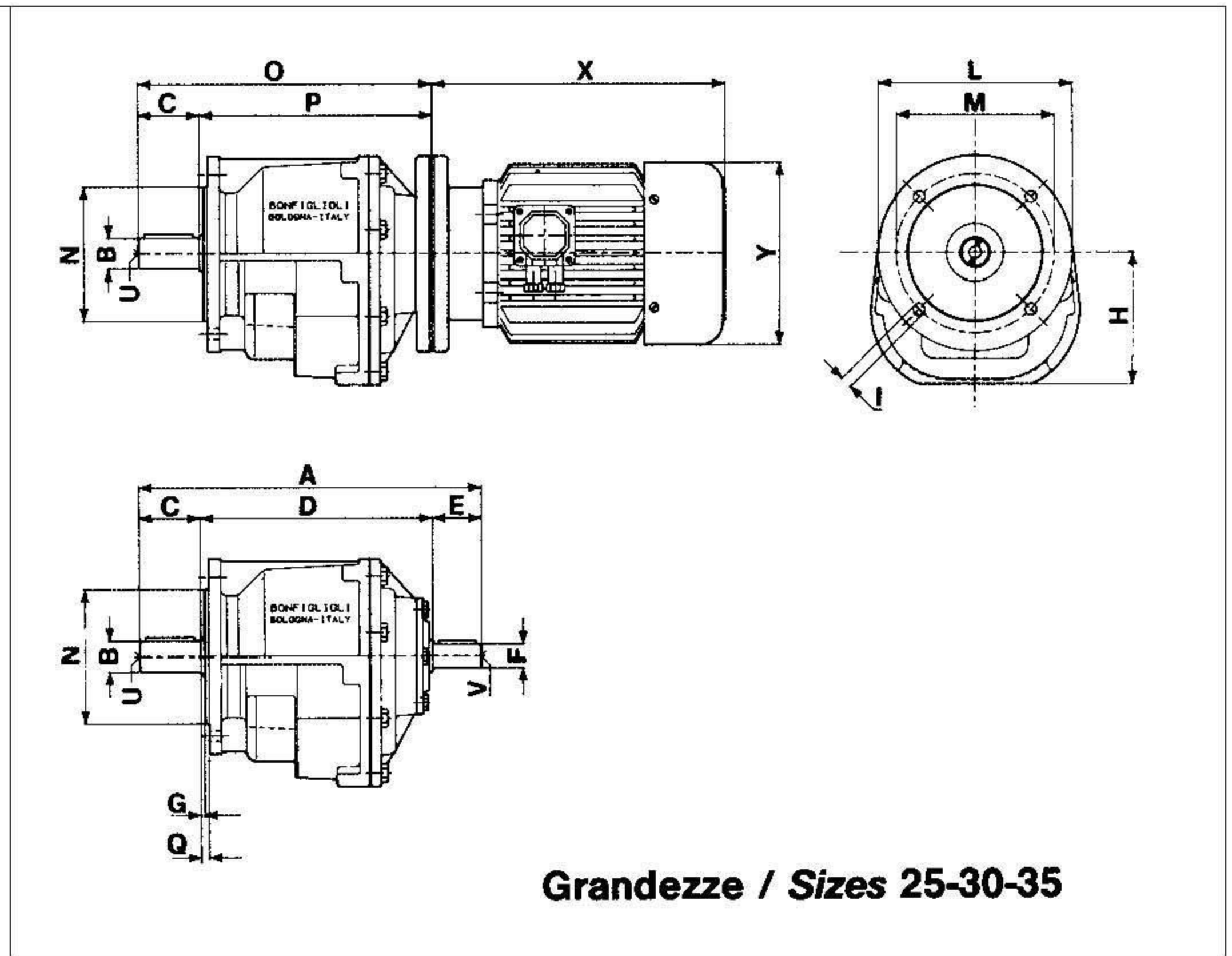
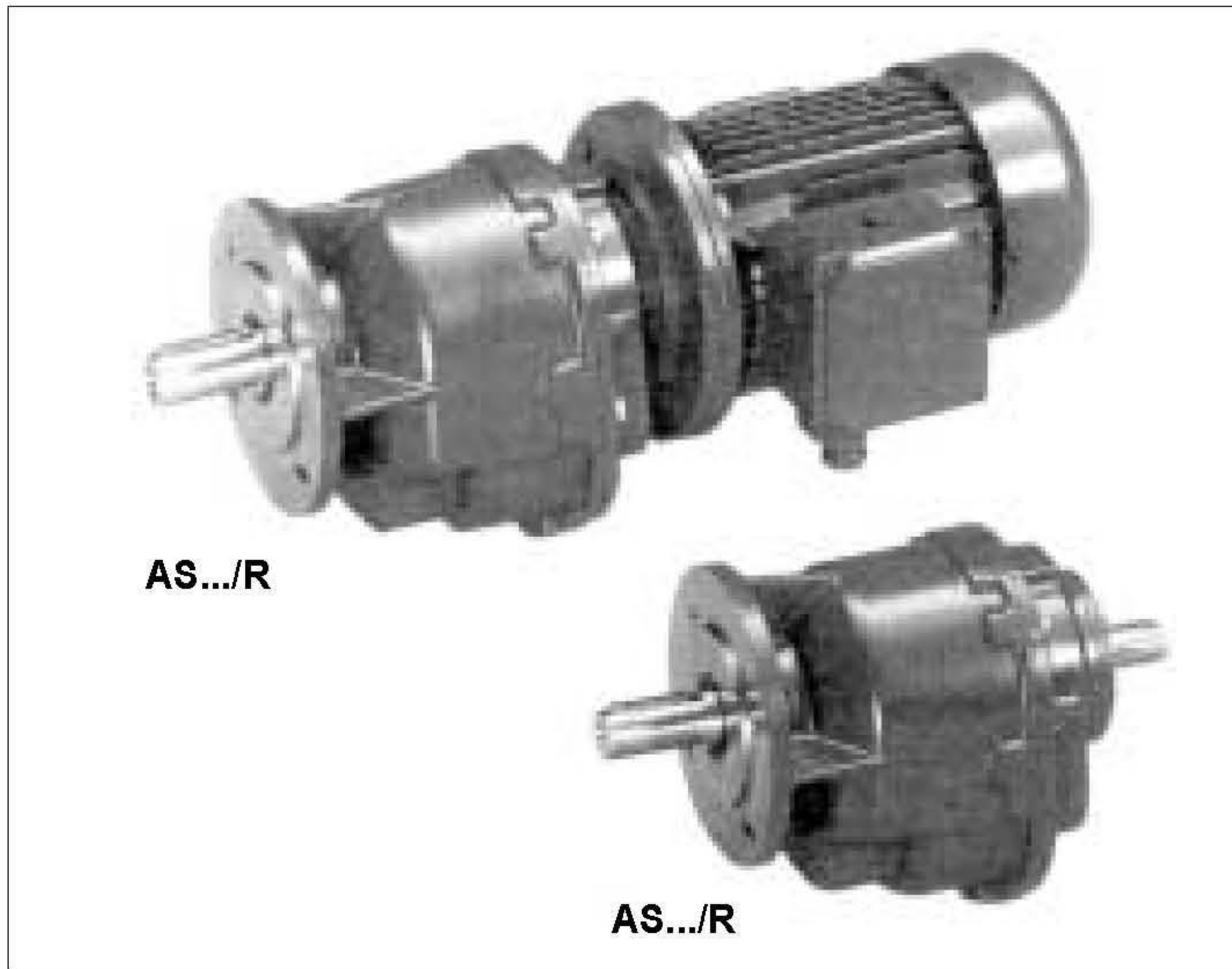
Ph : +91 - 22 - 25133850. Fax : +91 - 22 - 25133850.

Email : unionengg@gmail.com, union\_engg@yahoo.co.in.

Website : www.unionengg.in

**DIMENSIONI D'INGOMBRO .../R**

**OVERALL DIMENSIONS .../R**



Grandezze / Sizes 25-30-35

AS.../R	AS.../DR	AS.../P - AS.../DP														AS.../R					
		P	O	P	O	Bh6	C	G	H	I	L	M	N	Q	U	A	D	E	Fh6	V	Kg.
25	63			192	242	25	50	3,5	107	9,5	25	160	130	6,5	M8	280	190	40	19	M6	14
	71	192	242	192	242											278	198	40	16	M6	13,5
	80	197	247																		
30	71			243	303	30	60	3,5	127	11	30	200	165	6,5	M10	356	246	50	24	M8	22,5
	80	251	311	248	308											341	241	40	19	M6	22
	90	251	311	248	308																
35	71			243	323	35	80	3,5	127	11	35	200	165	6,5	M10	376	246	50	24	M8	23,5
	80	251	331	248	328											361	241	40	19	M6	23
	90	251	331	248	328																
	100-112	331																			

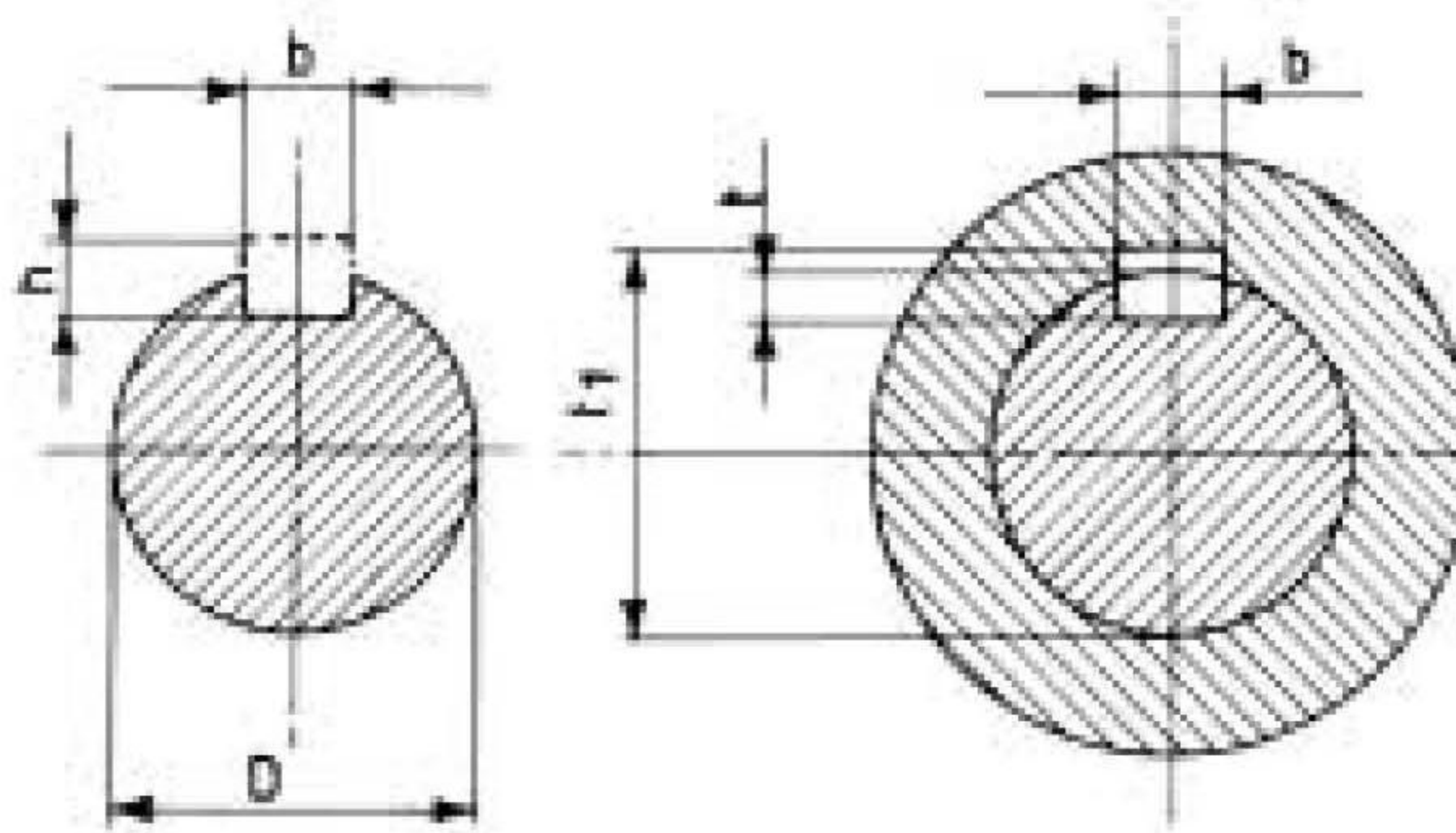
Le dimensioni X e Y variano in funzione della potenza del motore.

Dimensions X and Y vary according to the motor power.

**LINGUETTA UNI 6604-69**

**KEYS UNI 6604-69**

Dimensioni in mm  
Dimensions in mm



Alberi Shafts	Linguetta Key	Cava Keyway
D	b x h	t
> 12 ÷ 17	5 x 5	3
> 17 ÷ 22	6 x 6	3,5
> 22 ÷ 30	8 x 7	4
> 30 ÷ 38	10 x 8	5
> 38 ÷ 44	12 x 8	5
> 44 ÷ 50	14 x 9	5,5
> 50 ÷ 58	16 x 10	6
> 58 ÷ 65	18 x 11	7
> 65 ÷ 75	20 x 12	7,5
> 75 ÷ 85	22 x 14	9
> 85 ÷ 95	25 x 14	9
> 95 ÷ 110	28 x 16	10