

Authorised Dealers & Stockist :

Estd. Since 1974.



M/S Union Engineering Co.

16, Pankaj 'A', LBS Marg, Opp. Indradeep Society,
Ghatkopar - West. Mumbai - 400 086.

Ph : +91 - 22 - 25133850. Fax : +91 - 22 - 25133850.

Email : unionengg@gmail.com, union_engg@yahoo.co.in

Website : www.unionengg.in



11 - DIMENSIONI

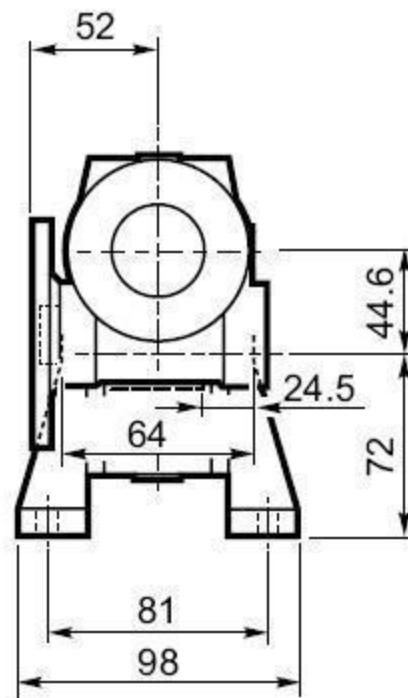
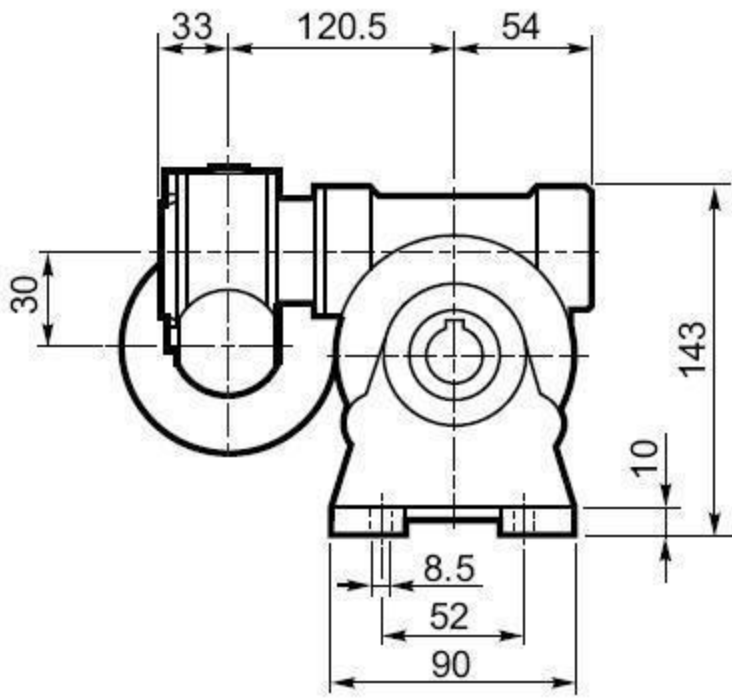
11 - DIMENSIONS

11 - ABMESSUNGEN

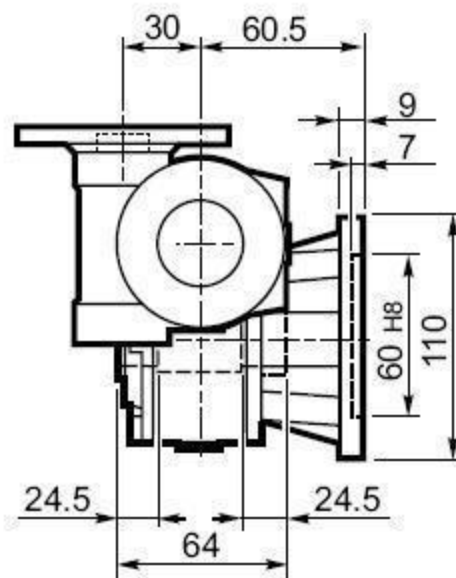
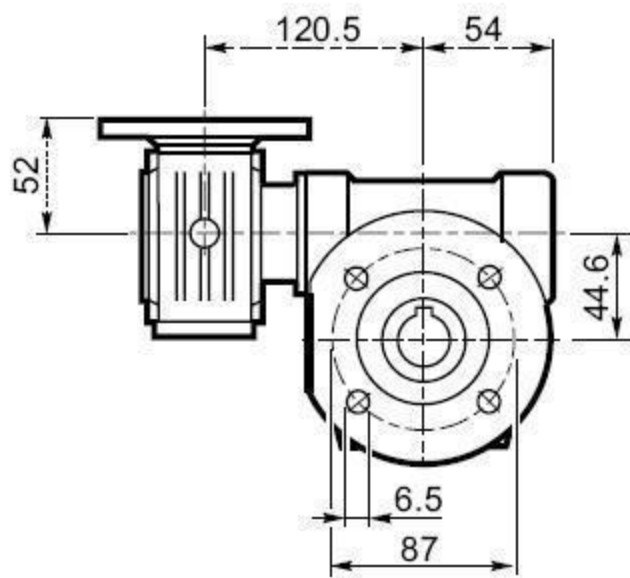
11 - DIMENSIONS

VF/VF 30/44..P(IEC)

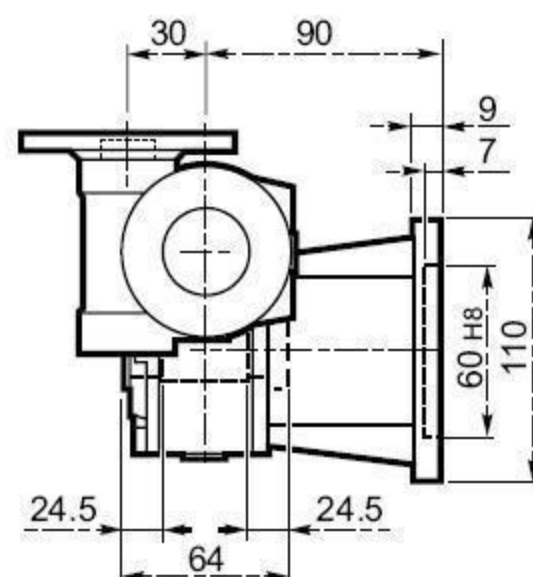
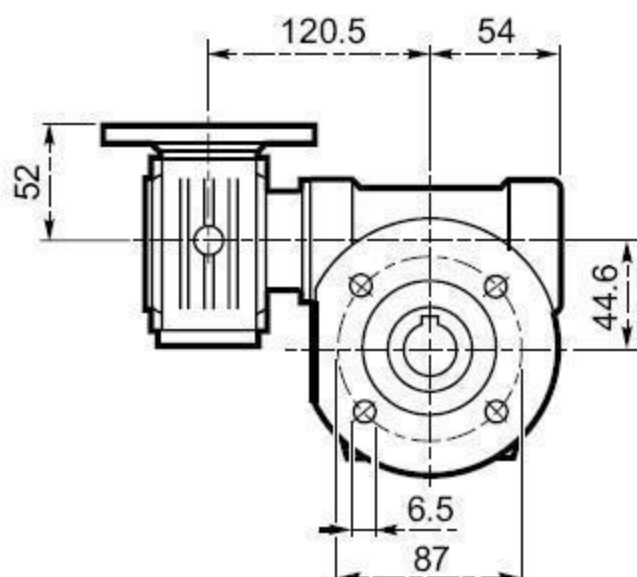
A



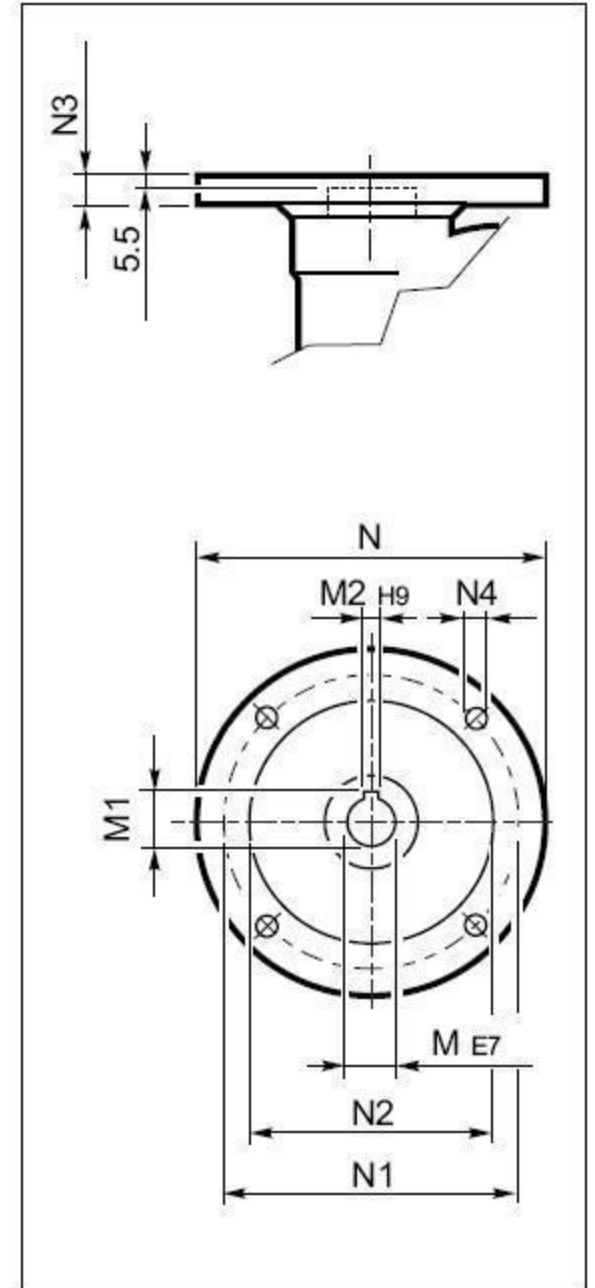
F



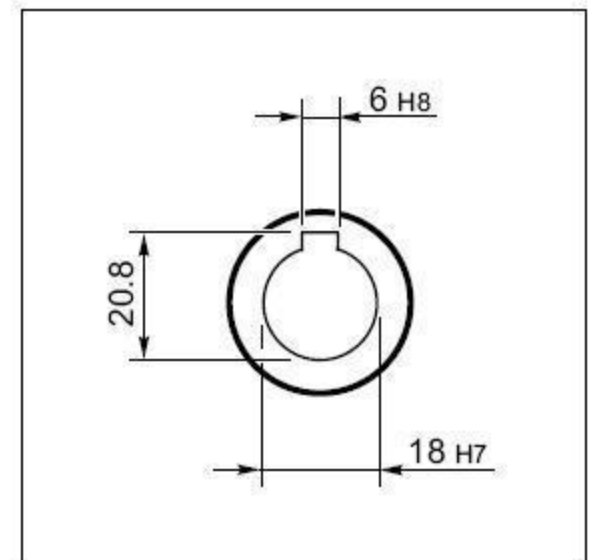
FA



INPUT



OUTPUT



Authorised Dealers & Stockist :

Estd. Since 1974.



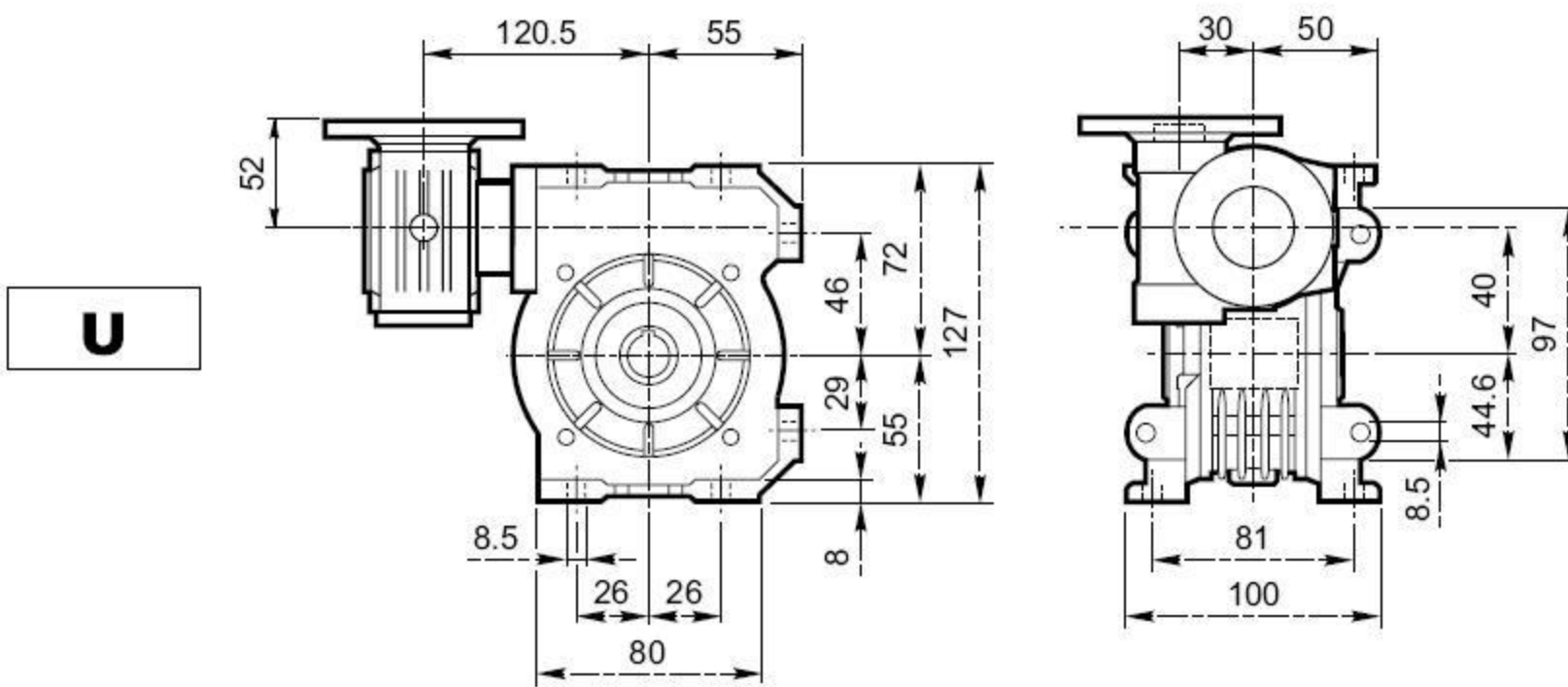
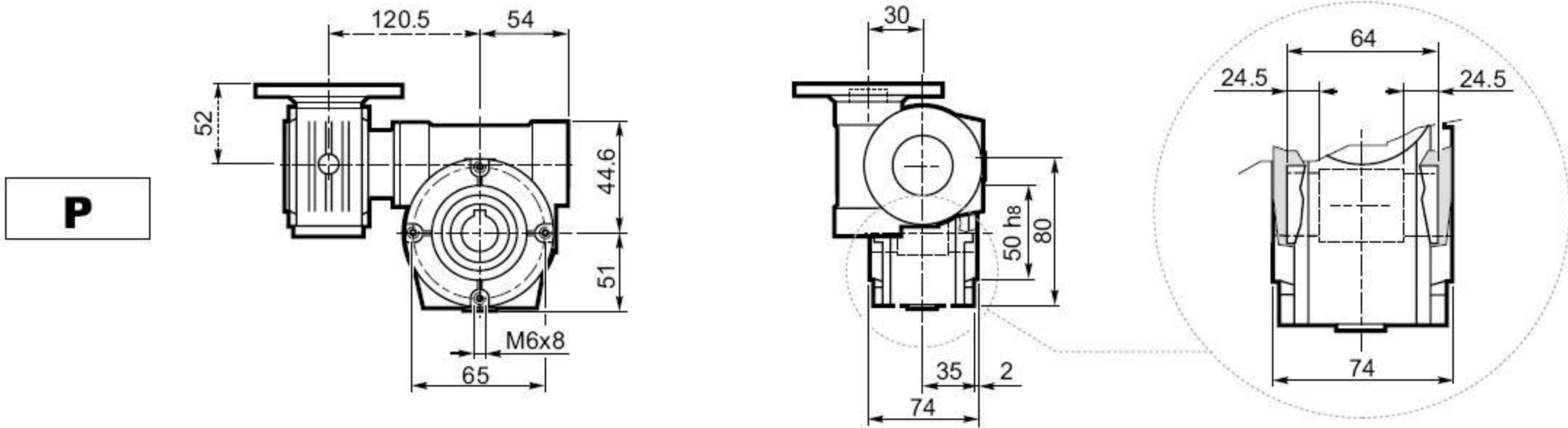
M/S Union Engineering Co.

16, Pankaj 'A', LBS Marg, Opp. Indradeep Society,
Ghatkopar - West. Mumbai - 400 086.

Ph : +91 - 22 - 25133850. Fax : +91 - 22 - 25133850.

Email : unionengg@gmail.com, union_engg@yahoo.co.in

Website : www.unionengg.in



	M	M ₁	M ₂	N	N ₁	N ₂	N ₃	N ₄	Kg
VF/VF 30/44_P 56 B14	9	10.4	3	80	65	50	7	5.5	3.5
VF/VF 30/44_P 63 B14	11	12.8	4	90	75	60	6	5.5	

Authorised Dealers & Stockist :

Estd. Since 1974.



M/S Union Engineering Co.

16, Pankaj 'A', LBS Marg, Opp. Indradeep Society,
Ghatkopar - West. Mumbai - 400 086.

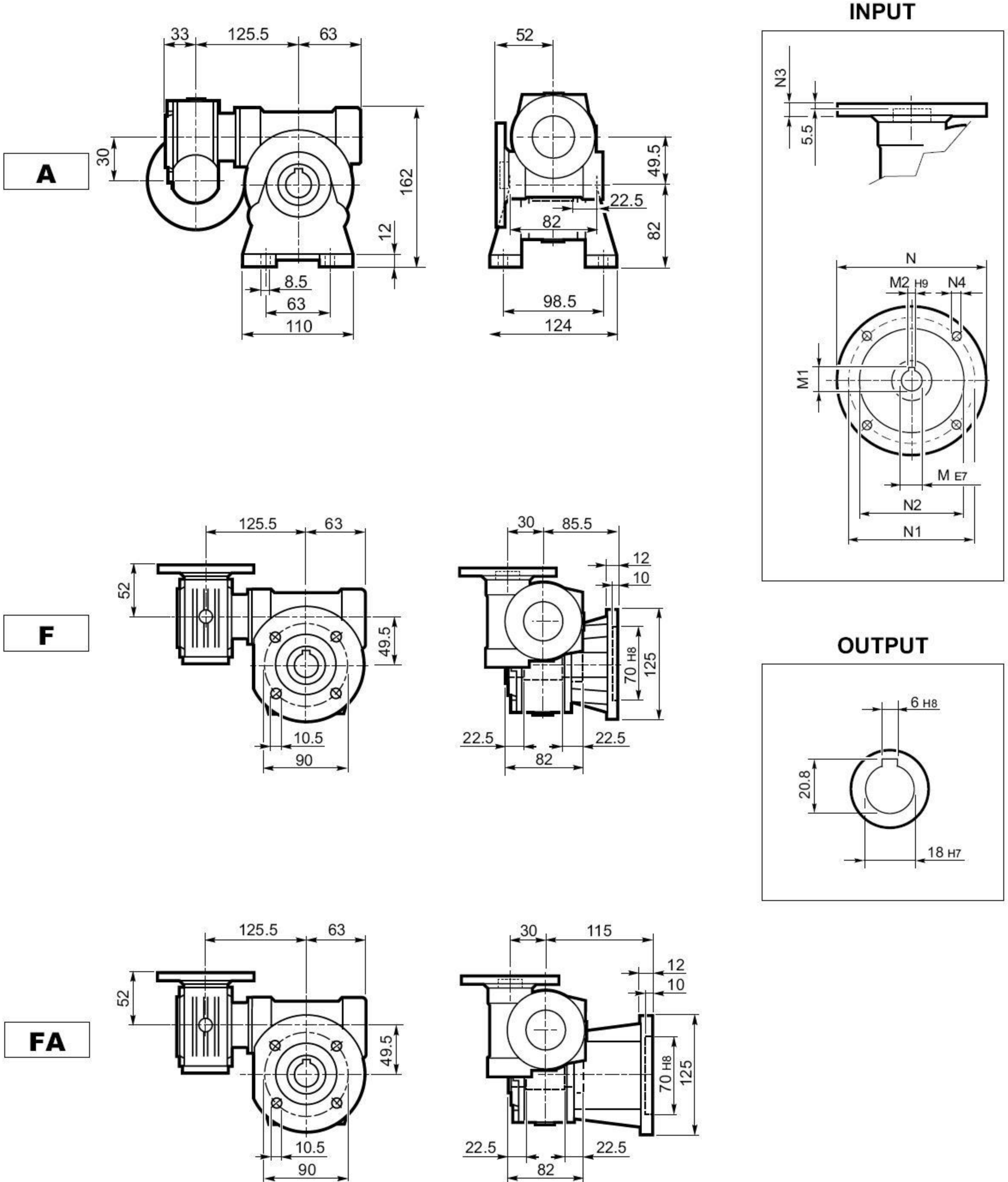
Ph : +91 - 22 - 25133850. Fax : +91 - 22 - 25133850.

Email : unionengg@gmail.com, union_engg@yahoo.co.in

Website : www.unionengg.in



VF/VF 30/49..P(IEC)



Authorised Dealers & Stockist :

Estd. Since 1974.



M/S Union Engineering Co.

16, Pankaj 'A', LBS Marg, Opp. Indradeep Society,
Ghatkopar - West. Mumbai - 400 086.

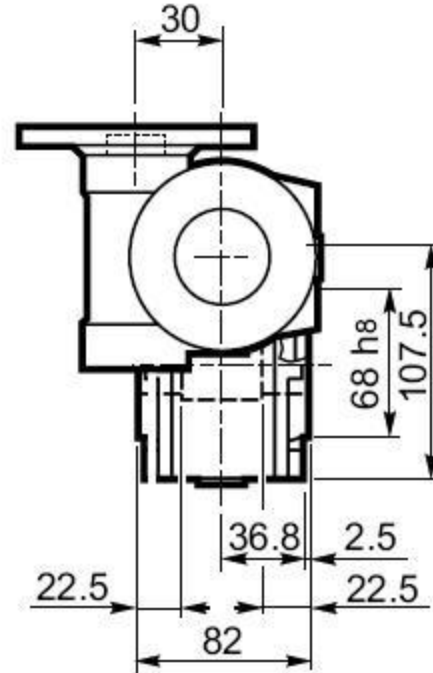
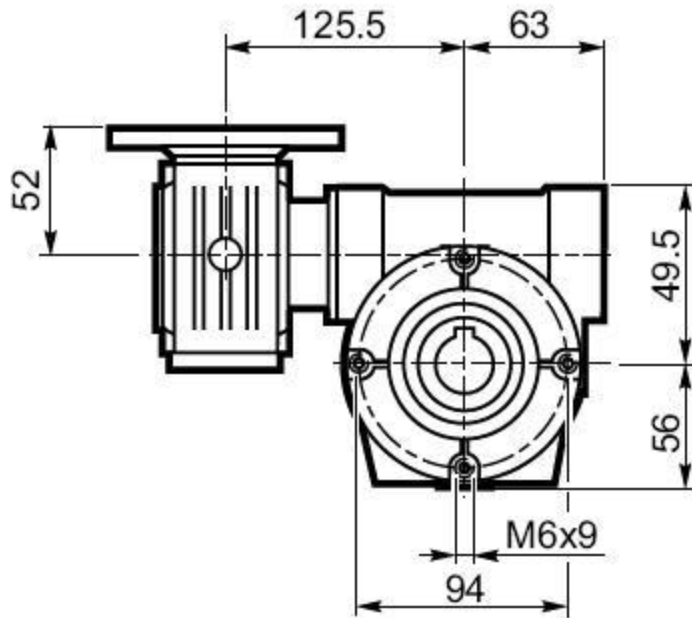
Ph : +91 - 22 - 25133850. Fax : +91 - 22 - 25133850.

Email : unionengg@gmail.com, union_engg@yahoo.co.in

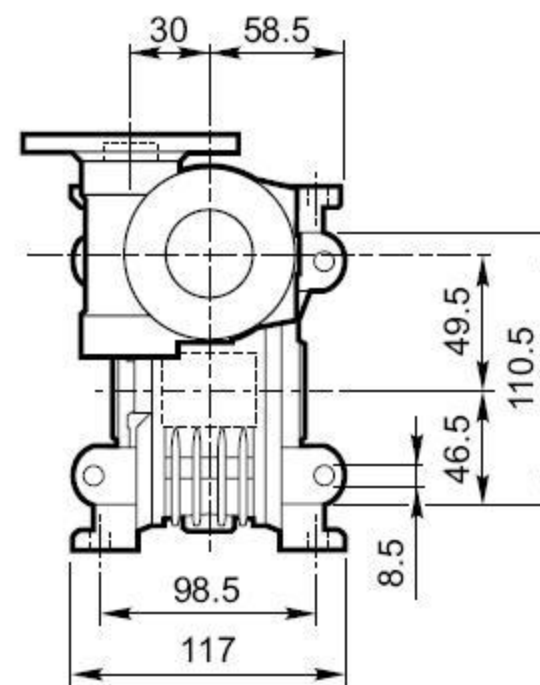
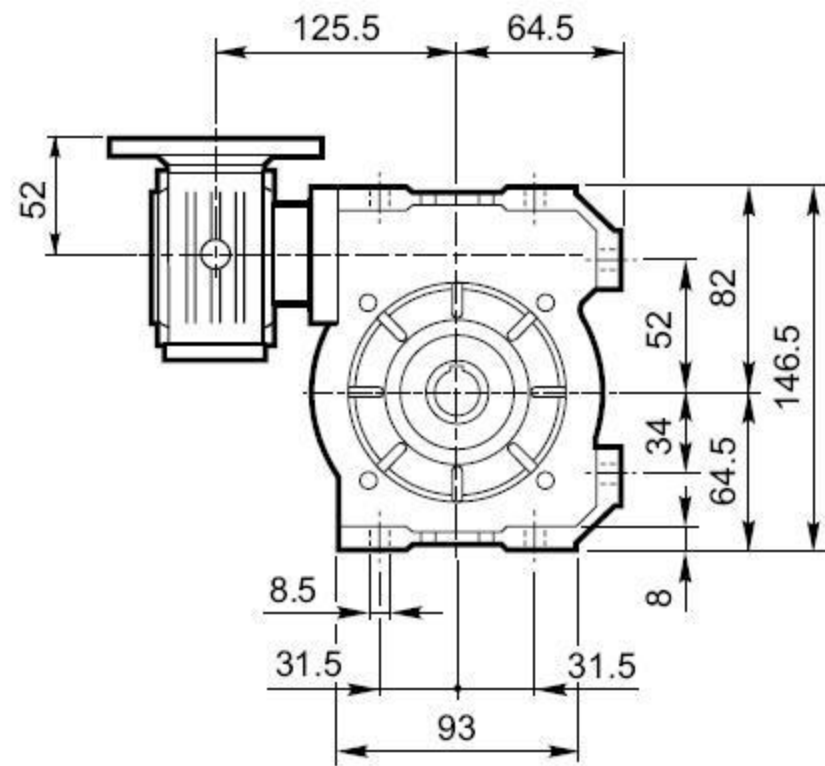
Website : www.unionengg.in




P



U

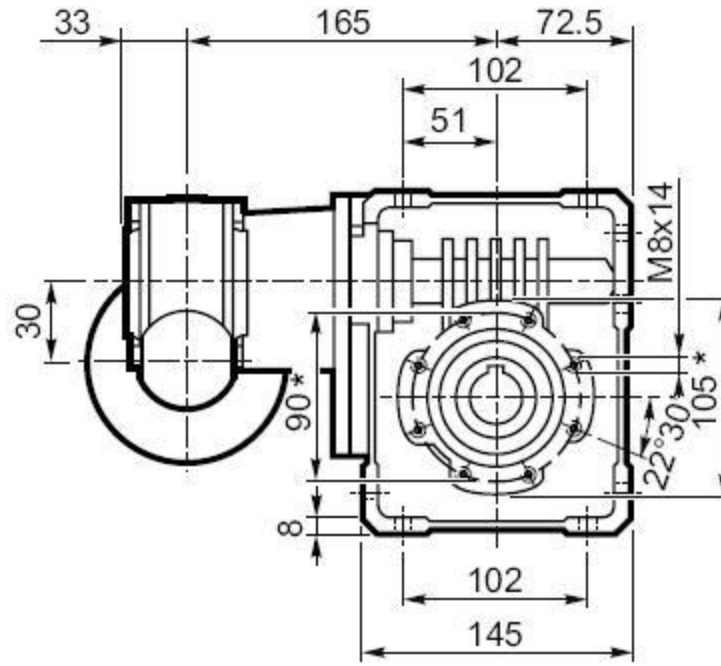
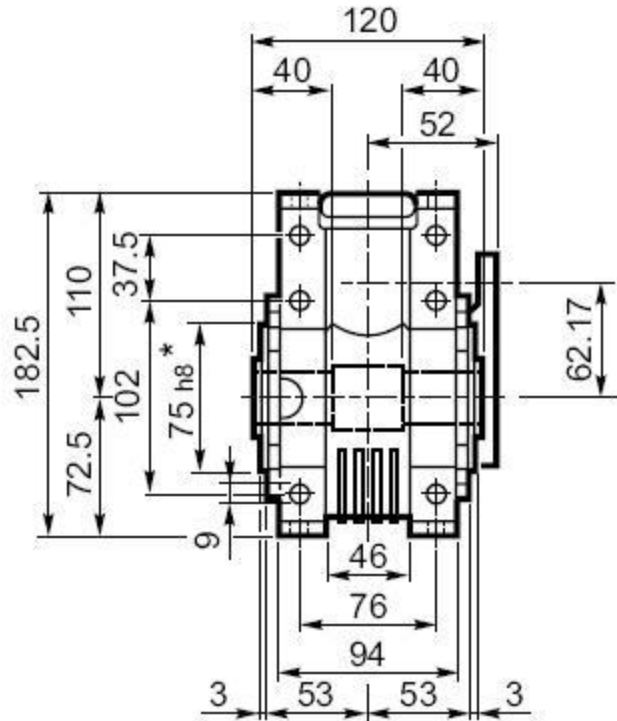


	M	M ₁	M ₂	N	N ₁	N ₂	N ₃	N ₄	
VF/VF 30/49_P 56 B14	9	10.4	3	80	65	50	7	5.5	4.5
VF/VF 30/49_P 63 B14	11	12.8	4	90	75	60	6	5.5	

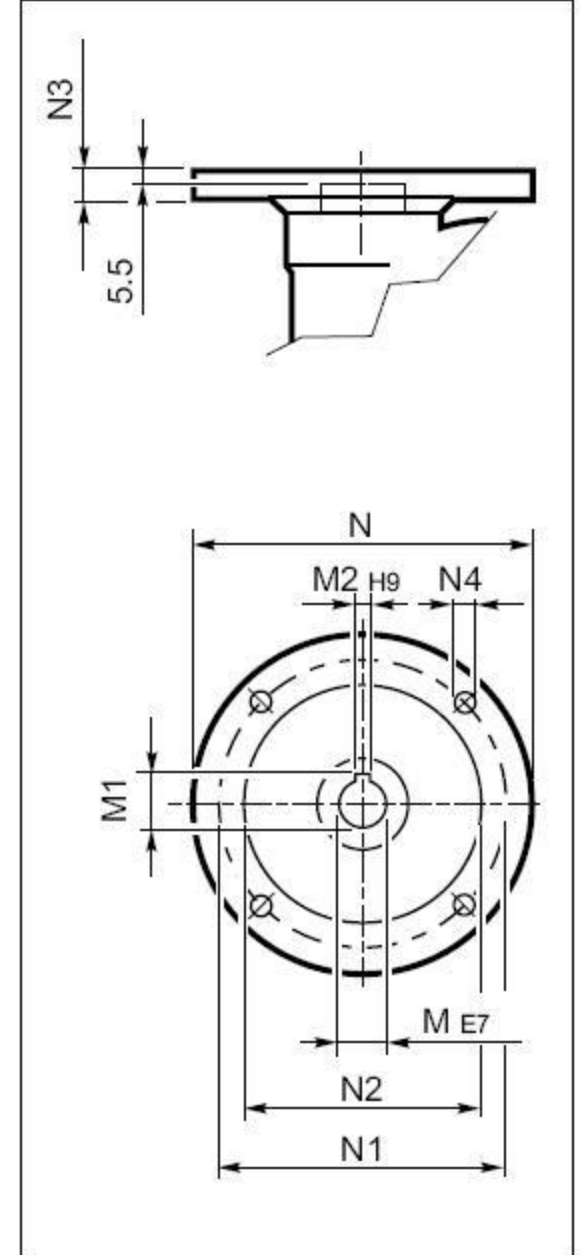


VF/W 30/63..P(IEC)

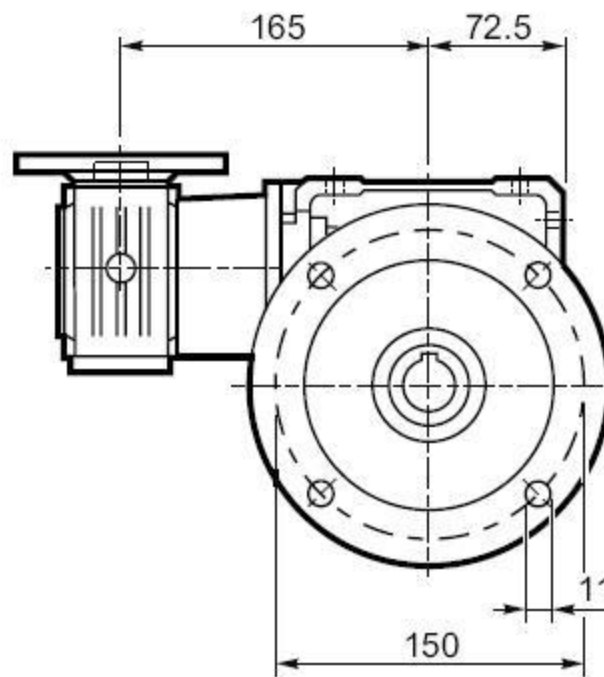
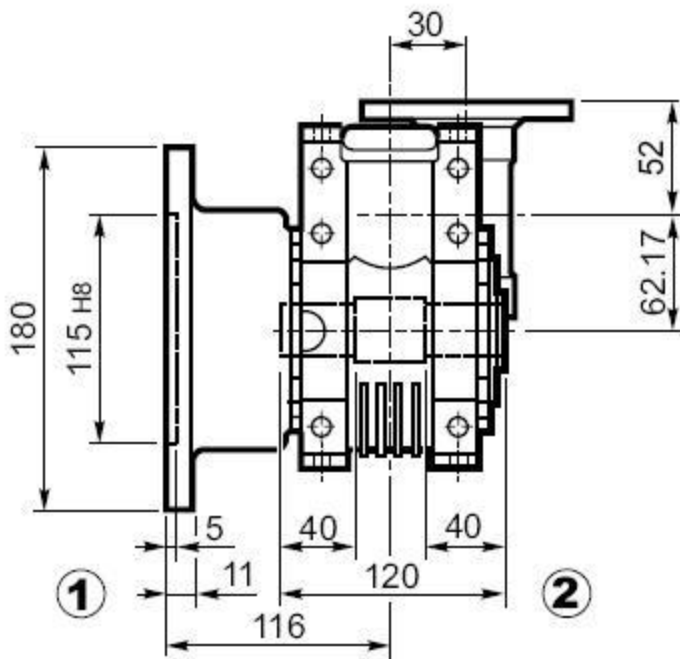
U



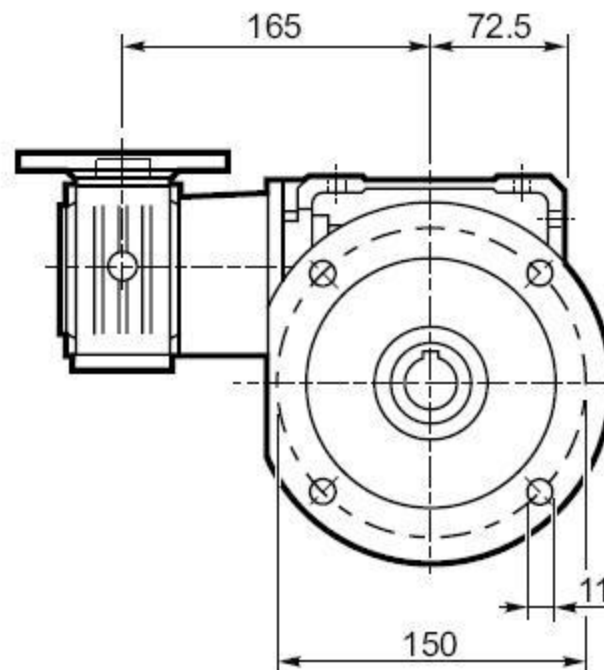
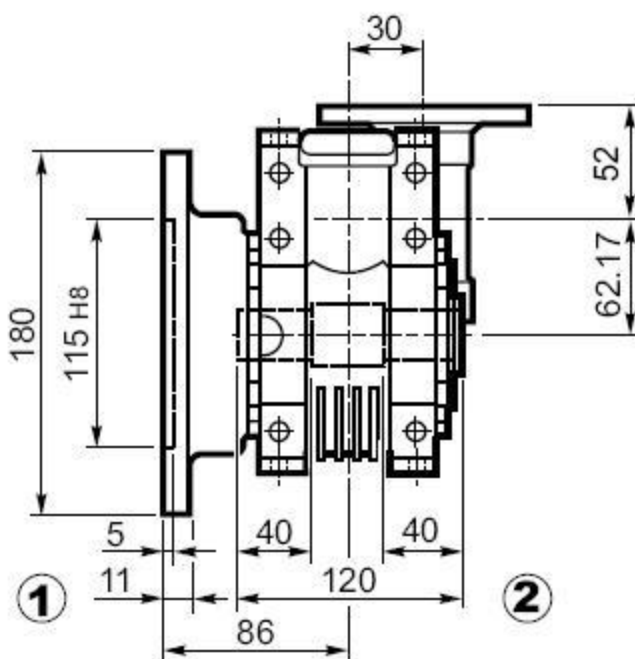
INPUT



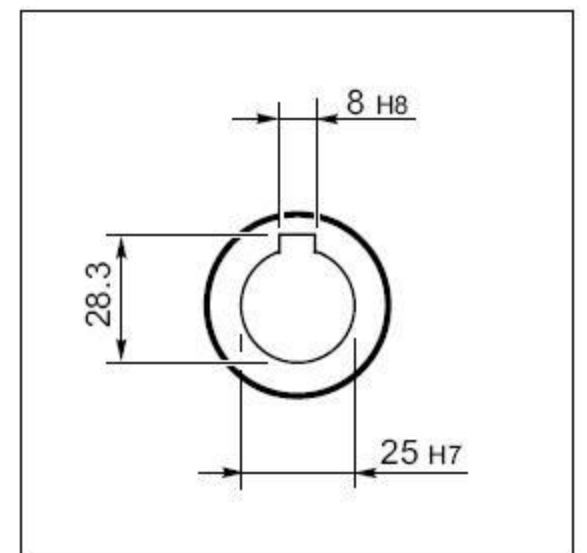
UF



UFC



OUTPUT



	M	M ₁	M ₂	N	N ₁	N ₂	N ₃	N ₄	Kg
VF/W 30/63_P 56 B5	9	10.4	3	120	100	80	7	7	8.0
VF/W 30/63_P 63 B5	11	12.8	4	140	115	95	8	9.5	
VF/W 30/63_P 56 B14	9	10.4	3	80	65	50	7	5.5	
VF/W 30/63_P 63 B14	11	12.8	4	90	75	60	6	5.5	

* Da ambo i lati / On both sides / Auf beiden seiten / Tous le deux cotés

Authorised Dealers & Stockist :

Estd. Since 1974.



M/S Union Engineering Co.

16, Pankaj 'A', LBS Marg, Opp. Indradeep Society,
Ghatkopar - West. Mumbai - 400 086.

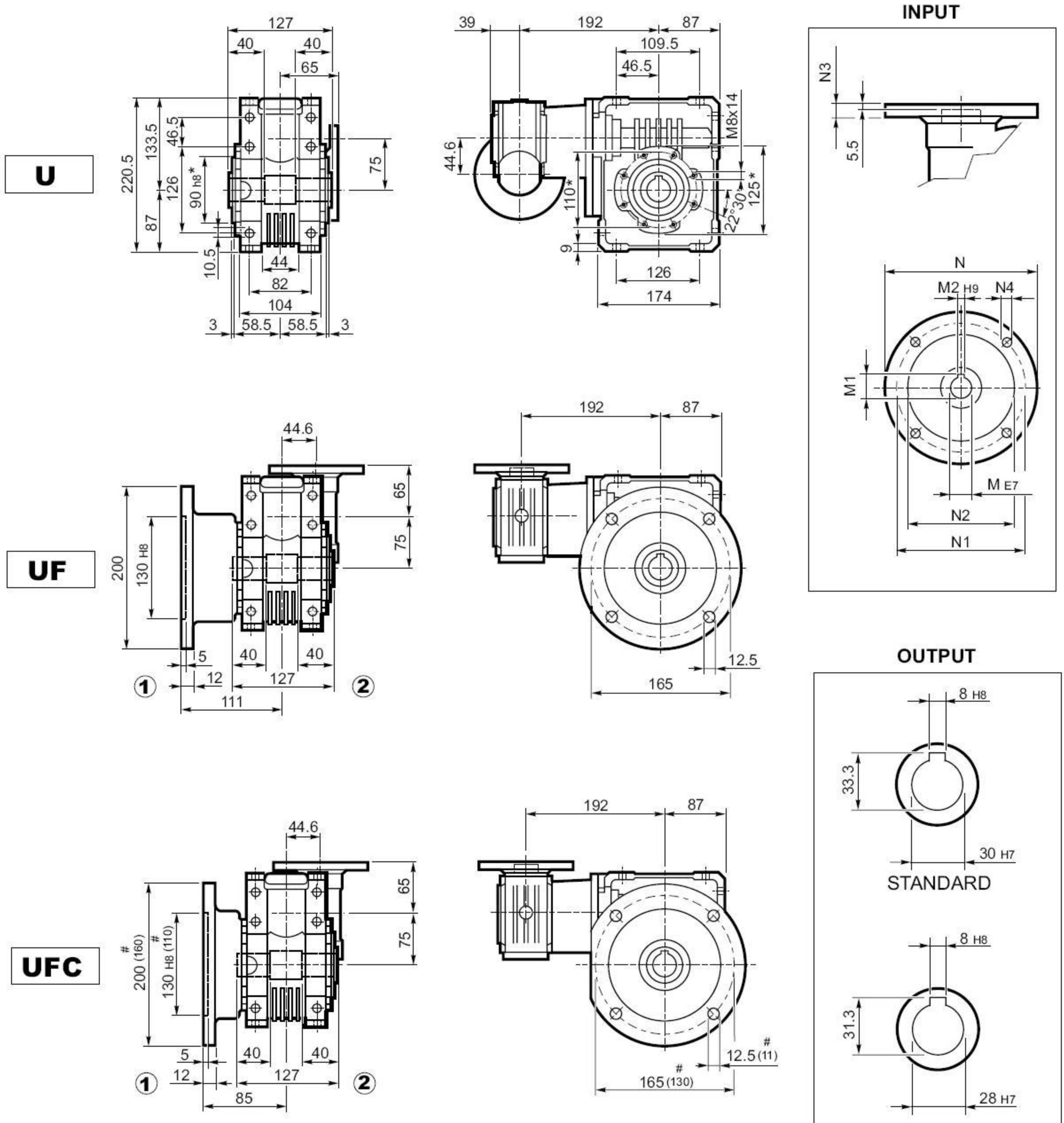
Ph : +91 - 22 - 25133850. Fax : +91 - 22 - 25133850.

Email : unionengg@gmail.com, union_engg@yahoo.co.in

Website : www.unionengg.in



VF/W 44/75..P(IEC)



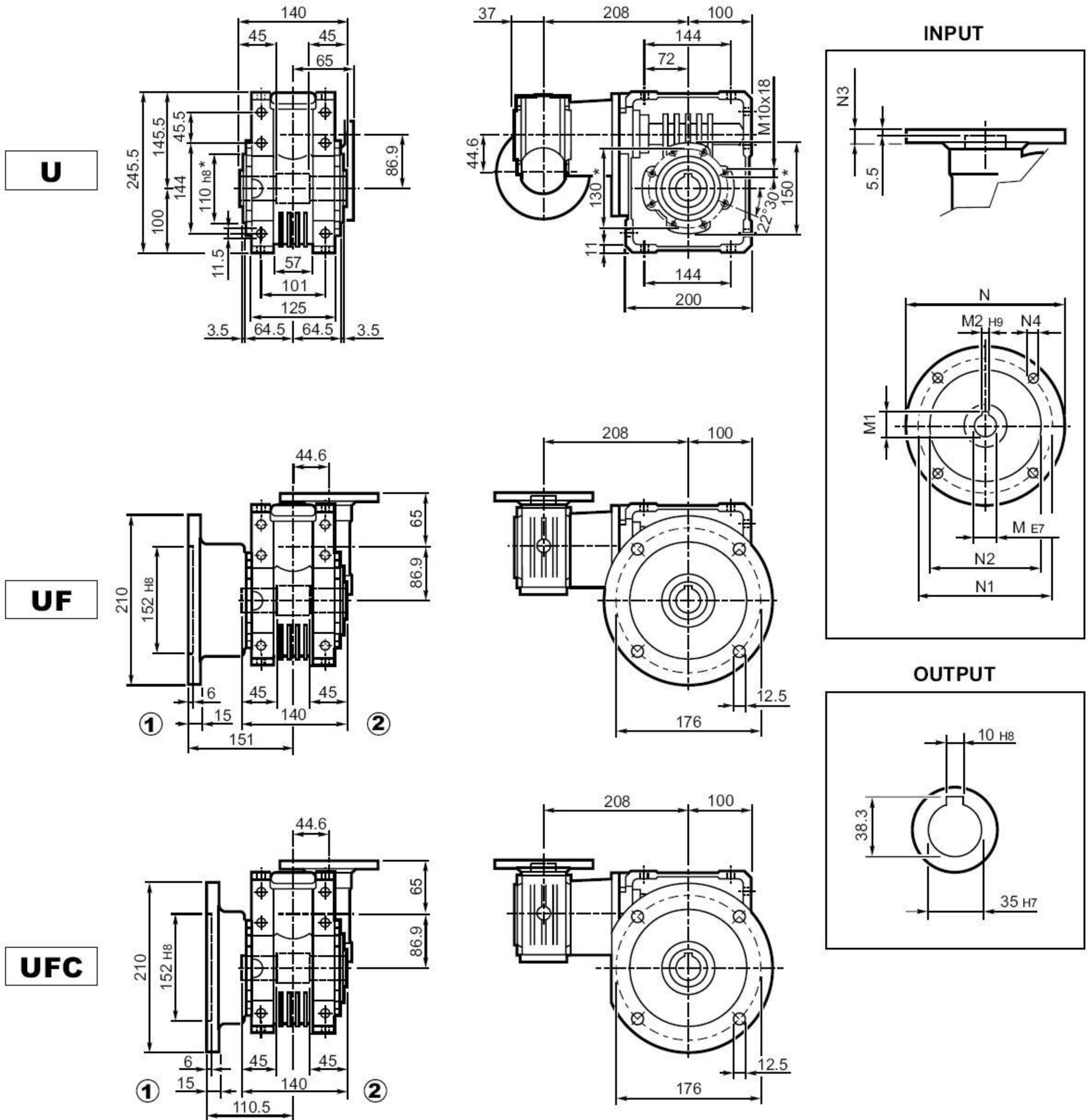
	M	M ₁	M ₂	N	N ₁	N ₂	N ₃	N ₄	
VF/W 44/75_P 63 B5	11	12.8	4	140	115	95	10	9.5	12.5
VF/W 44/75_P 71 B5	14	16.3	5	160	130	110	10	9.5	
VF/W 44/75_P 63 B14	11	12.8	4	90	75	60	8	5.5	
VF/W 44/75_P 71 B14	14	16.3	5	105	85	70	10	7	

* Da ambo i lati / On both sides / Auf beiden seiten / Tous le deux cotés

Flangia ridotta / Reduced flange / Verkürzte Flansch / Bride réduit



VF/W 44/86..P(IEC)



	M	M ₁	M ₂	N	N ₁	N ₂	N ₃	N ₄	Kg
VF/W 44/86_P 63 B5	11	12.8	4	140	115	95	10	9.5	16.6
VF/W 44/86_P 71 B5	14	16.3	5	160	130	110	10	9.5	
VF/W 44/86_P 63 B14	11	12.8	4	90	75	60	8	5.5	
VF/W 44/86_P 71 B14	14	16.3	5	105	85	70	10	7	

* Da ambo i lati / On both sides / Auf beiden seiten / Tous le deux cotés

Authorised Dealers & Stockist :

Estd. Since 1974.



M/S Union Engineering Co.

16, Pankaj 'A', LBS Marg, Opp. Indradeep Society,
Ghatkopar - West. Mumbai - 400 086.

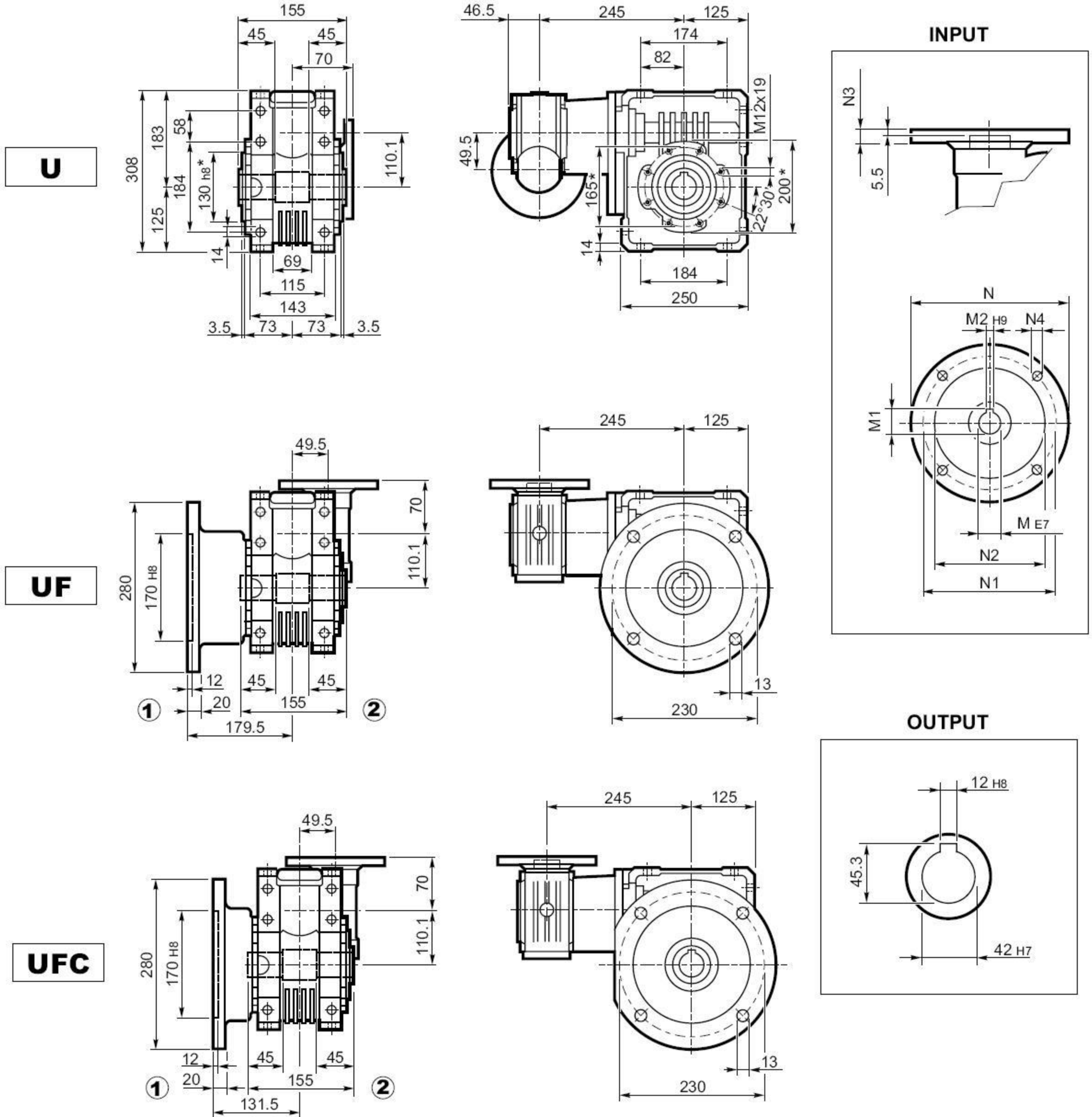
Ph : +91 - 22 - 25133850. Fax : +91 - 22 - 25133850.

Email : unionengg@gmail.com, union_engg@yahoo.co.in

Website : www.unionengg.in



VF/W 49/110..P(IEC)



	M	M ₁	M ₂	N	N ₁	N ₂	N ₃	N ₄	Kg
VF/W 49/110_P 63 B5	11	12.8	4	140	115	95	10.5	9.5	43
VF/W 49/110_P 71 B5	14	16.3	5	160	130	110	10.5	9.5	
VF/W 49/110_P 80 B5	19	21.8	6	200	165	130	10	11.5	
VF/W 49/110_P 63 B14	11	12.8	4	90	75	60	7	6	
VF/W 49/110_P 71 B14	14	16.3	5	105	85	70	10.5	6.5	
VF/W 49/110_P 80 B14	19	21.8	6	120	100	80	10	7	

* Da ambo i lati / On both sides / Auf beiden seiten / Tous le deux cotés