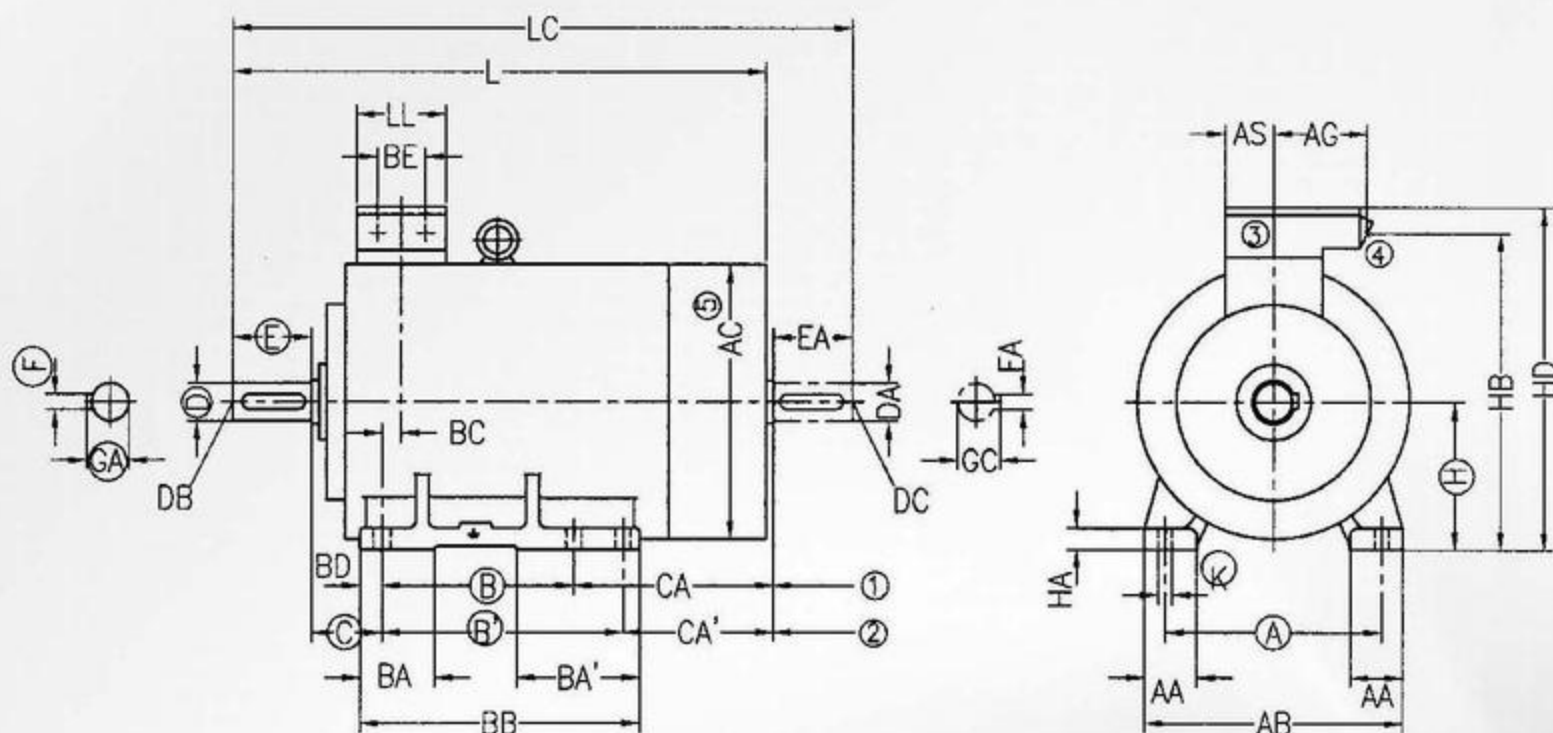




Dimensions in mm



- ① B is valid in all frames
- ② B' & CA' are valid for 90 frame only 90S: B=100 & CA=128, 90L: B'=125 & CA'=103
- ③ Terminal box can be rotated in steps of 90°
- ④ Conduit entry 1x3/4" for frame size 63-90 & 2x1" for frame size 100-132, as per IS:1653
- ⑤ Measured over bolt heads
- ⑥ Shaft extension as per IS:1231

Mechanical Dimensions [Foot Mounted Motors (IMB3)]

Frame Size	A	AA	AB	AC	AG	AS	B	BA	BA'	BB	BC	BD	BE	C	CA	H	HA
63	100	27	122	132	44.5	44.5	80	26	26	102	19.5	11	-	40	70	63	6
71	112	28	134	148	44.5	44.5	90	26	26	112	15.5	11	-	45	77	71	7
80	125	29	150	168	44.5	44.5	100	30	30	124	15.5	12	-	50	96	80	9
90S/L	140	32	168	190	44.5	44.5	②	32	57	149	23.5	12	-	56	②	90	10
100L	160	43	200	208	82	50	140	46	46	180	25.5	20	40	63	117	100	14
112M	190	52	230	233	82	50	140	47	47	180	19	20	40	70	134	112	15.5
132S	216	53	256	274	82	50	140	46	46	180	12	20	40	89	149	132	16
132M	216	53	256	274	82	50	178	46	46	218	12	20	40	89	149	132	16

Frame Size	HB	HD	K	L	LC	LL	Shaft Extension									
							Drive End					Non-drive End				
							D	DB	E	F	GA	DA	DC	EA	FA	GC
63	140.5	169	7	208	236	89	11	M4x9	23	4	12.5	11	M4x9	23	4	12.5
71	157	186	7	240	272	89	14	M5x12	30	5	16	14	M5x12	30	5	16
80	176	204	10	282	326	89	19	M6x16	40	6	21.5	19	M6x16	40	6	21.5
90S/L	194.5	223	10	326	374	89	24	M8x20	50	8	27	19	M6x16	40	6	21.5
100L	224.5	256	12	373	430	112	28	M10x24	60	8	31	24	M8x20	50	8	27
112M	249.5	281	12	398	454	112	28	M10x24	60	8	31	24	M8x20	50	8	27
132S	289	320	12	452	538	112	38	M12x28	80	10	41	38	M12x28	80	10	41
132M	289	320	12	490	576	112	38	M12x28	80	10	41	38	M12x28	80	10	41

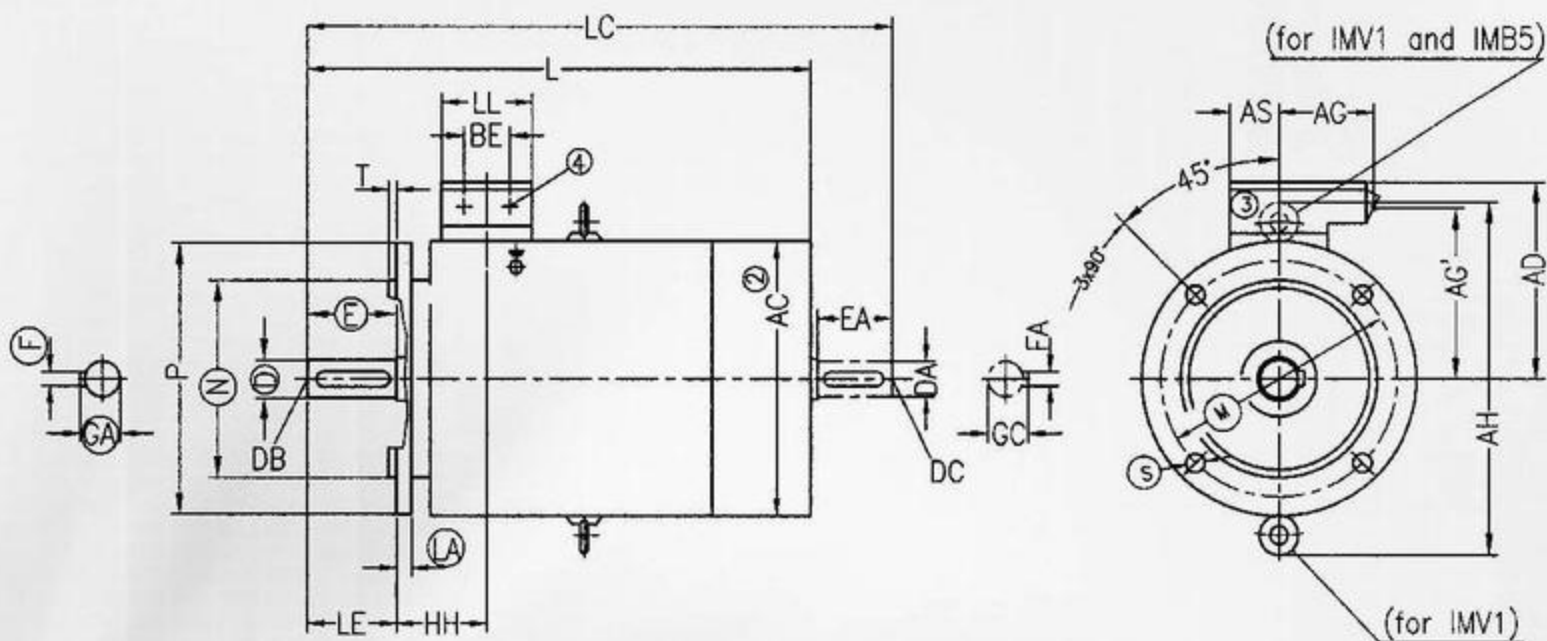
Definitive Dimensions:

A, B, B', C, H, K, D, E, F, GA are binding dimensions for all standard motors.

All other dimensions are subject to change. For valid dimensions, please contact Regional Office in your region



Dimensions in mm



① Shaft extension as per IS:1231

② Measured over bolt heads

③ Terminal box can be rotated in steps of 90°

④ Conduit entry 1x3/4" for frame 63-90 & 2x1" for frame size 100-132, as per IS:1653

⑤ Flange as per IS:2223

Mechanical Dimensions [Flange Mounted Motors (IMB5)]

Frame Size	AC	AD	AG	AG'	AH	AS	BE	HH	L	LC	LE	LL
63	132	106	44.5	77.5	-	44.5	-	59.5	208	236	23	89
71	148	115	44.5	86	-	44.5	-	60.5	240	272	30	89
80	168	124	44.5	96	-	44.5	-	65.5	282	326	40	89
90S/L	190	133	44.5	105	246	44.5	-	79.5	326	374	50	89
100L	208	156	82	125	270	50	40	88.5	373	430	60	112
112M	233	169	82	138	306	50	40	89	398	454	60	112
132S	274	188	82	157	350	50	40	101	452	538	80	112
132M	274	188	82	157	350	50	40	101	490	576	80	112

Frame Size	Shaft Extension										Flange						
	Drive End					Non-drive End					⑤ Number	LA	M	N	P	S	T
	D	DB	E	F	GA	DA	DC	EA	FA	GC							
63	11	M4x9	23	4	12.5	11	M4x9	23	4	12.5	F115B	9	115	95	140	10	3
71	14	M5x12	30	5	16	14	M5x12	30	5	16	F130B	9	130	110	160	10	3.5
80	19	M6x16	40	6	21.5	19	M6x16	40	6	21.5	F165B	10	165	130	200	12	3.5
90S/L	24	M8x20	50	8	27	19	M6x16	40	6	21.5	F165B	10	165	130	200	12	3.5
100L	28	M10x24	60	8	31	24	M8x20	50	8	27	F215B	11	215	180	250	15	4
112M	28	M10x24	60	8	31	24	M8x20	50	8	27	F215B	11	215	180	250	15	4
132S	38	M12x28	80	10	41	38	M12x28	80	10	41	F265B	12	265	230	300	15	4
132M	38	M12x28	80	10	41	38	M12x28	80	10	41	F265B	12	265	230	300	15	4

Definitive Dimensions:

M, N, S, D, E, F, GA and LA are binding dimensions for all standard motors.

All other dimensions are subject to change. For valid dimensions, please contact Regional Office in your region

Authorised Dealers & Stockist :

Estd. Since 1974.



M/S Union Engineering Co.

16, Pankaj 'A', LBS Marg, Opp. Indradeep Society,
Ghatkopar - West. Mumbai - 400 086.

Ph : +91 - 22 - 25133850. Fax : +91 - 22 - 25133850.

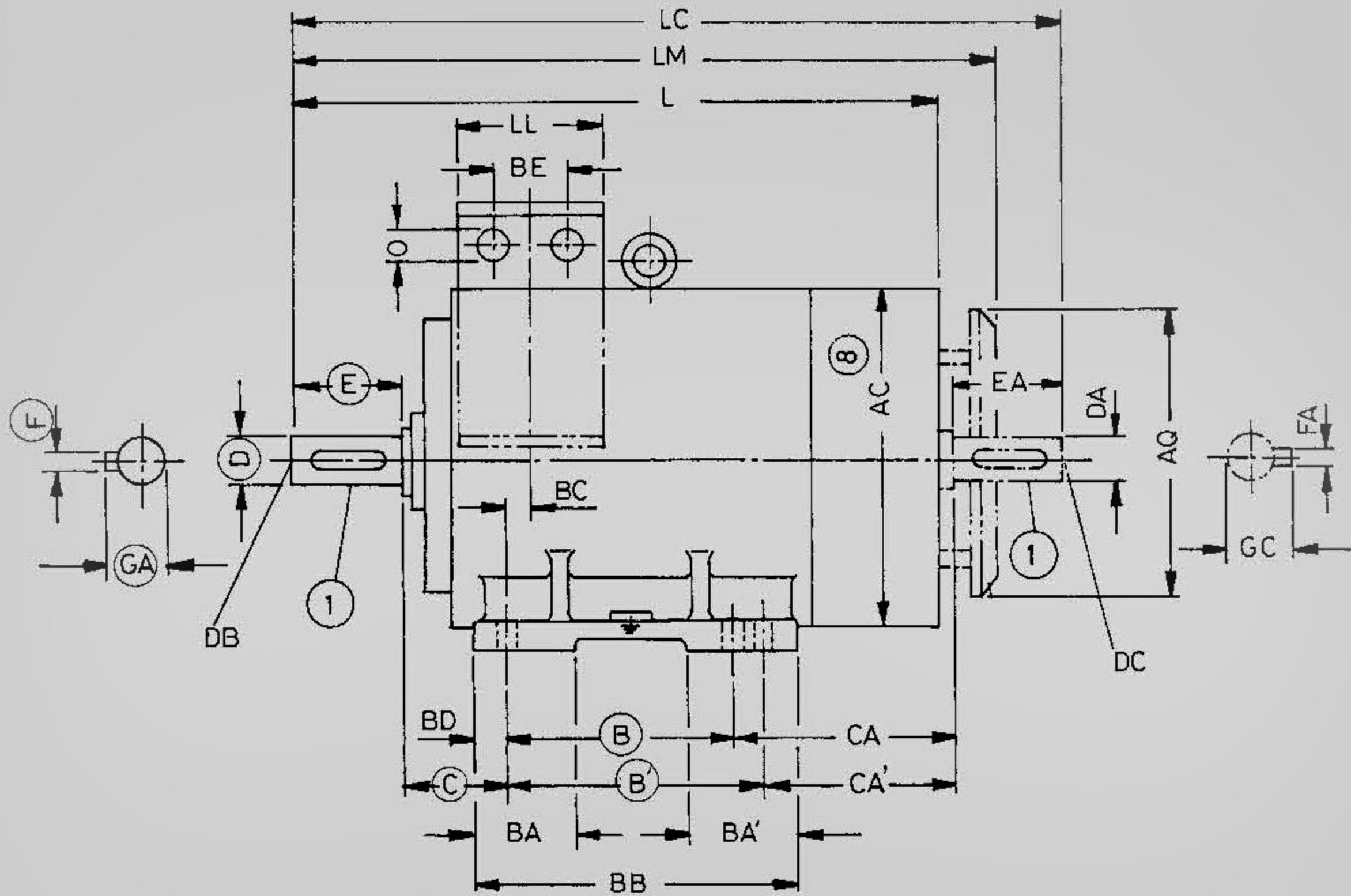
Email : unionengg@gmail.com, union_engg@yahoo.co.in

Website : www.unionengg.in

Dimensional diagrams

Frame sizes: 1SE0 180M - 355L 1LA0 160M - 225M

Construction: IMB3, IMB6, IMB7, IMB8, IMV5, IMV6



Frame size	No. of Poles	A	AA	AB	Ⓢ AC	AD	AG	AG'	AQ	AS	B	B'	BA	BA'	BB	BC	BD	BE	C	CA	CA'	H	HA	HB	HB'	HD
Ⓢ 160M	2...8	254	60	314	315	260	110	215	294	75	210	-	70	70	250	39	20	55	108	183	-	160	20	350	165	395
Ⓢ 160L	2...8										254				294											
180M	2...8	279	65	344	375	260	110	225	340	75	241	-	110	110	332	35	30.5	55	121	259	-	180	26	405	220	450
180L											-	279								-	221					
200L	2	318	80	398	415	335	155	275	380	100	305		85	85	355	42	25	85	133	239	-	200	34	450	190	510
	4...8																									
225S	2	356	80	436	470	335	155	275	425	100	286	-	110	110	386	25	50	85	149	269	-	225	34	500	240	560
	4...8										-	311								-	244					
225M	2	356	80	436	470	335	155	275	425	100	-	311	110	110	386	25	50	85	149	-	244	225	34	500	240	560
	4...8																									
250M	2	406	100	506	520	460	200	365	470	120	349	-	115	115	425	39	46	85	168	283	-	250	42	585	255	680
	4...8																									
280S	2	457	100	557	575	550	250	430	525	135	368	-	100	155	483	30	30.5	100	190	317	-	280	42	700	260	820
	4...8										-	419								-	266					
280M	2	457	100	557	575	550	250	430	525	135	-	419	100	155	483	30	30.5	100	190	-	266	280	42	700	260	820
	4...8																									
315S	2	508	120	628	645	660	285	530	590	165	406	-	171	527	32	35	135	216	358	-	315	52	830	290	960	
	4...8										-	457							120	578						307
315M	2	508	120	628	645	660	285	530	590	165	-	457	120	171	527	32	35	135	216	-	307	315	52	830	290	960
	4...8										-	457	120							578	307					
315L	2	508	120	628	645	660	285	530	590	165	508	-	120	578	32	35	135	216	396	-	315	52	830	290	960	
	4...8										-	457							120	578						307
355L	2	610	120	730	720	640	285	510	670	165	630	-	170	255	774	53	72	135	254	461	-	355	44	860	380	990
	4...8										-	457									120					

Dimensions in mm

Authorised Dealers & Stockist :

Estd. Since 1974.



M/S Union Engineering Co.

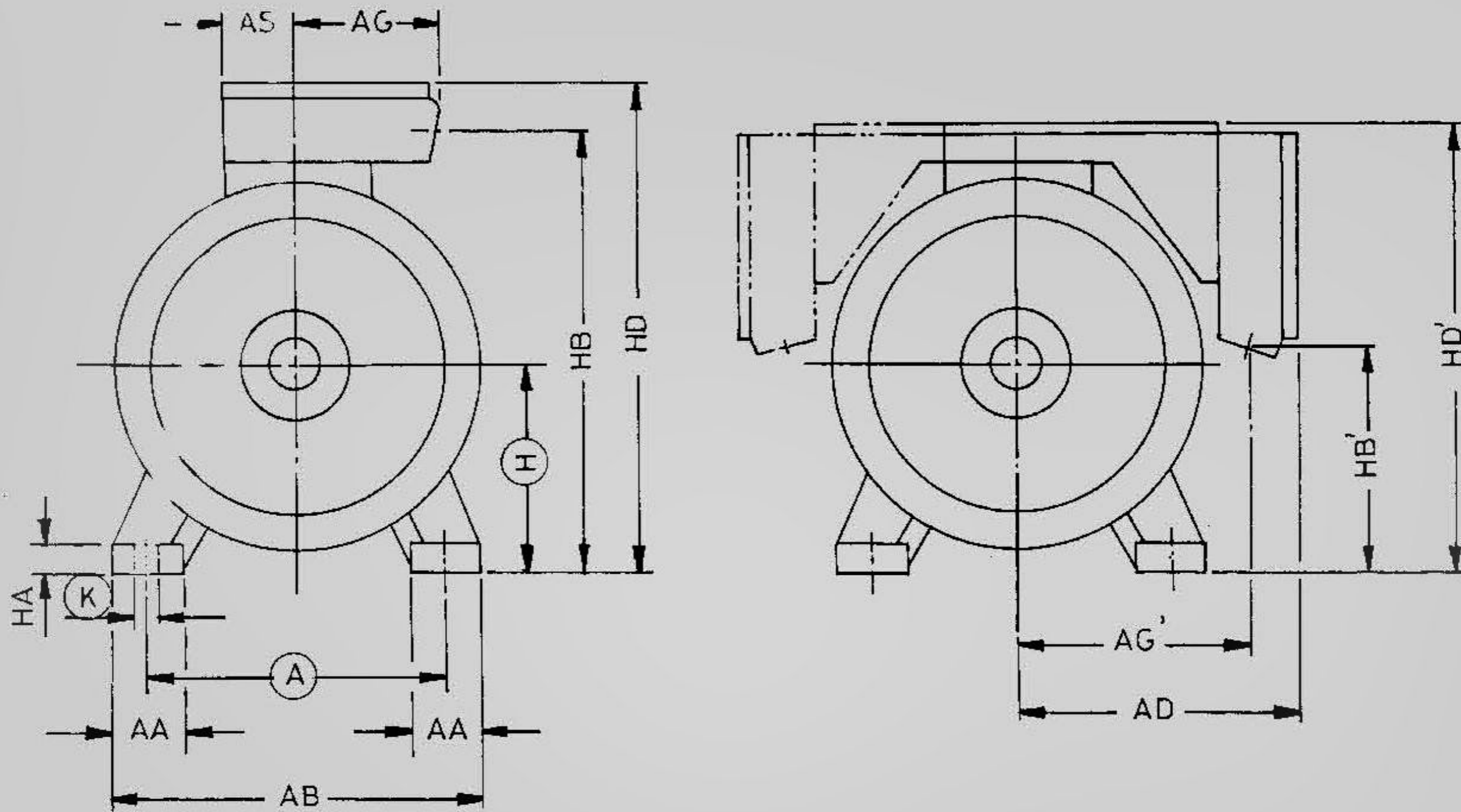
16, Pankaj 'A', LBS Marg, Opp. Indradeep Society,
Ghatkopar - West. Mumbai - 400 086.

Ph : +91 - 22 - 25133850. Fax : +91 - 22 - 25133850.

Email : unionengg@gmail.com, union_engg@yahoo.co.in

Website : www.unionengg.in

Construction : IMB3, IMB6, IMB7, IMB8, IMV5, IMV6



Frame size	No. of Poles	HD'	K	L	LC	LL	LM	O	Shaft Extension									
									Drive End					Non-drive End				
									D	DB	E	F	GA	DA	DC	EA	FA	GC
160M	2....8	360	15	601	721	148	640	⑤	42	②	110	12	45	42	②	110	12	45
160L	2....8			645	765		685											
180M	2....8	415	15	720	841	148	805	⑤	48	②	110	14	51.5	48	②	110	14	51.5
180L																		
200L	2	450	19	775	897	197	860	⑥	55	③	110	16	59	48	②	110	14	51.5
	4....8																	
225S	2	500	19	805	924	197	905	⑥	55	③	110	16	59	48	②	110	14	51.5
	4....8																	
225M	2	500	19	805	924	197	905	⑥	55	③	110	16	59	48	②	110	14	51.5
	4....8																	
250M	2	590	24	930	1050	234	1030	⑥	60	③	140	18	64	55	③	110	16	59
	4....8																	
280S	2	645	24	1005	1155	266	1115	⑦	65	③	140	18	69	60	③	140	18	64
	4....8																	
280M	2	645	24	1005	1155	266	1115	⑦	65	③	140	18	69	60	③	140	18	64
	4....8																	
315S	2	740	28	1110	1260	330	1220	⑦	65	③	140	18	69	60	③	140	18	64
	4....8																	
315M	2	740	28	1110	1260	330	1220	⑦	65	③	140	18	69	60	③	140	18	64
	4....8																	
315L	2	740	28	1140	1290	330	1250	⑦	80	③	170	22	85	70	③	140	20	74.5
	4....8																	
355L	2	855	28	1485	1625	330	1590	⑦	75	③	140	20	79.5	65	③	140	18	69
	4....8																	
				1515	1685		1620		95	④	170	25	100	85		170	22	90

- ① Shaft extension as per IS: 1231
- ② Protected centre hole M16 x 36
- ③ Protected centre hole M20 x 42
- ④ Protected centre hole M24 x 50
- ⑤ 2 Nos. B.S. Conduit Entry 31.8 (1¼")-IS:1653
- ⑥ 2 Nos. B.S. Conduit Entry 51 (2")-IS:1653
- ⑦ 2 Nos. B.S. Conduit Entry 63.5 (2½")-IS:1653
- ⑧ Measured over bolt heads
- ⑨ Terminal box can be rotated in steps of 90°
- ⑩ For 160 and 180 Frames slant of cable entry integral with Terminal Box. For 200 to 355 Frames Cable End Box of detachable type.
- ⑪ 1LA0 motor only. Refer page 11 for 1SE0 motor

Definitive Dimensions (Upto 315L):
A, B, B', C, H, K, D, E, F, GA are binding dimensions for all standard motors.
All other dimensions are subject to change. For valid dimensions, please contact Regional Office in your region

Authorised Dealers & Stockist :

Estd. Since 1974.



M/S Union Engineering Co.

16, Pankaj 'A', LBS Marg, Opp. Indradeep Society,
Ghatkopar - West. Mumbai - 400 086.

Ph : +91 - 22 - 25133850. Fax : +91 - 22 - 25133850.

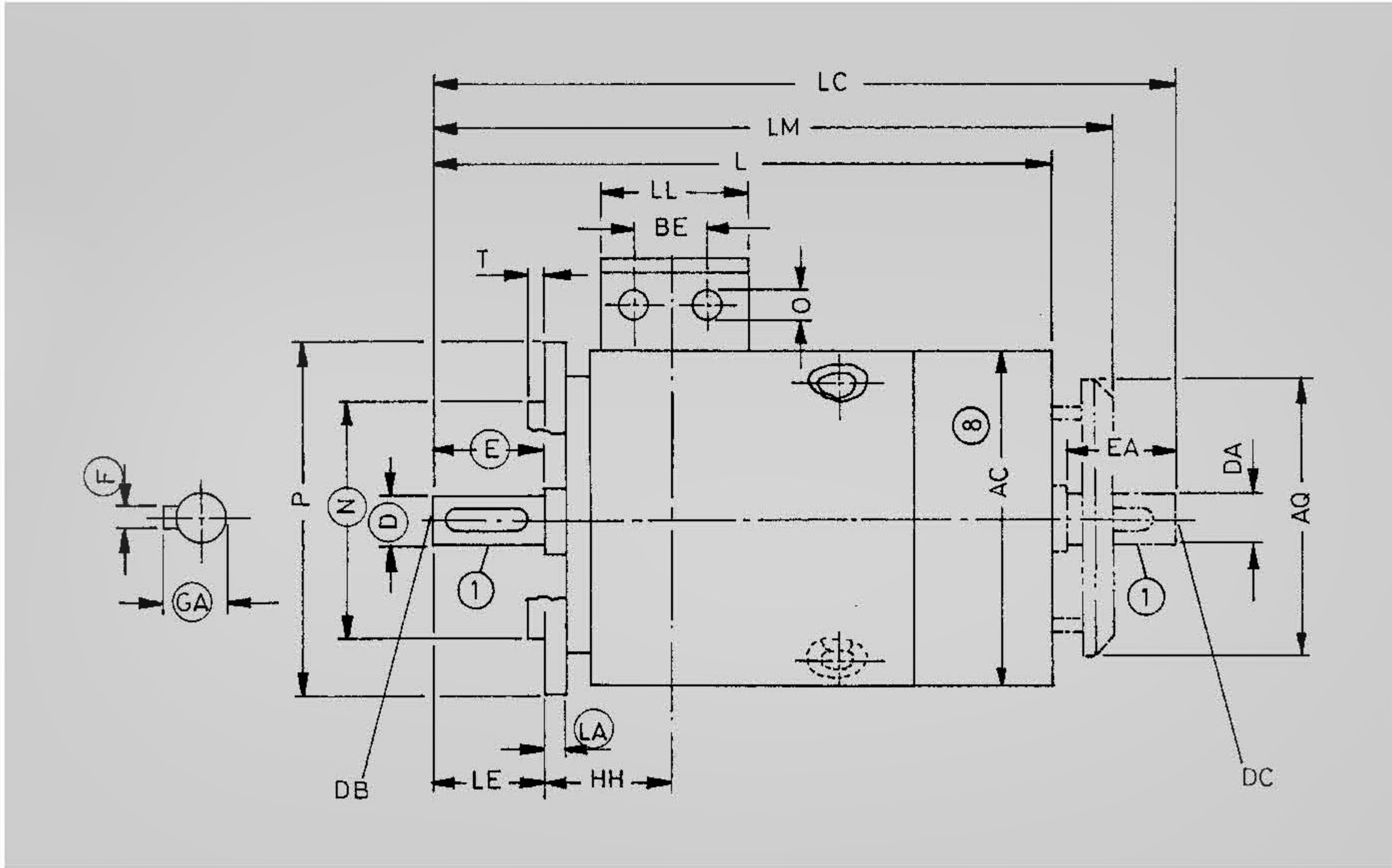
Email : unionengg@gmail.com, union_engg@yahoo.co.in

Website : www.unionengg.in

Dimensional diagrams

Frame sizes: 1SE0 180M - 355L 1LA0 160M - 225M

Construction: IMB5, IMV1



Frame size	No. of Poles	Ⓢ	Shaft Extension																							
			Drive End					Non-drive End																		
			AC	AD	AG	AG'	AH	AQ	AS	BE	HH	L	LC	LE	LL	LM	O	D	DB	E	F	GA	DA	DC	EA	FA
Ⓢ 160M	2...8										601	721			640	Ⓢ	42	Ⓢ	110	12	45	42	Ⓢ	110	12	45
Ⓢ 160L	2...8										645	765			685	Ⓢ										
180M	2...8										720	841	110	148	805	Ⓢ	48	Ⓢ	110	14	51.5	48	Ⓢ	110	14	51.5
180L																										
200L	2										775	897	110	197	860	Ⓢ	55	Ⓢ	110	16	59	48	Ⓢ	110	14	51.5
	4...8																					55	Ⓢ	110	16	59
225S/M	2										805	924	110	197	905	Ⓢ	55	Ⓢ	110	16	59	48	Ⓢ	110	14	51.5
	4...8										835	954	140	197	935	Ⓢ	60	Ⓢ	140	18	64	55	Ⓢ	110	16	59
250M	2										930	1050	140	234	1030	Ⓢ	60	Ⓢ	140	18	64	55	Ⓢ	110	16	59
	4...8											1080					65	Ⓢ	140	18	69	60	Ⓢ	140	18	64
280S/M	2										1005	1155	140	266	1115	Ⓢ	65	Ⓢ	140	18	69	60	Ⓢ	140	18	64
	4...8																75	Ⓢ	140	20	79.5	65	Ⓢ	140	18	69
315S/M	2										1110	1260	140		1220		65	Ⓢ	140	18	69	60	Ⓢ	140	18	64
	4...8										1140	1290	170		1250		80	Ⓢ	170	22	85	70	Ⓢ	140	20	74.5
315L	2										1250	1400	140	330	1360	Ⓢ	65	Ⓢ	140	18	69	60	Ⓢ	140	18	64
	4...8										1280	1430	170	330	1390		80	Ⓢ	170	22	85	70	Ⓢ	140	20	74.5
355L	2										1485	1625	140		1590		75	Ⓢ	140	20	79.5	65	Ⓢ	140	18	69
	4...8										1515	1685	170	330	1620		95	Ⓢ	170	25	100	85	Ⓢ	170	22	90

Dimensions in mm

Authorised Dealers & Stockist :

Estd. Since 1974.



M/S Union Engineering Co.

16, Pankaj 'A', LBS Marg, Opp. Indradeep Society,
Ghatkopar - West. Mumbai - 400 086.

Ph : +91 - 22 - 25133850. Fax : +91 - 22 - 25133850.

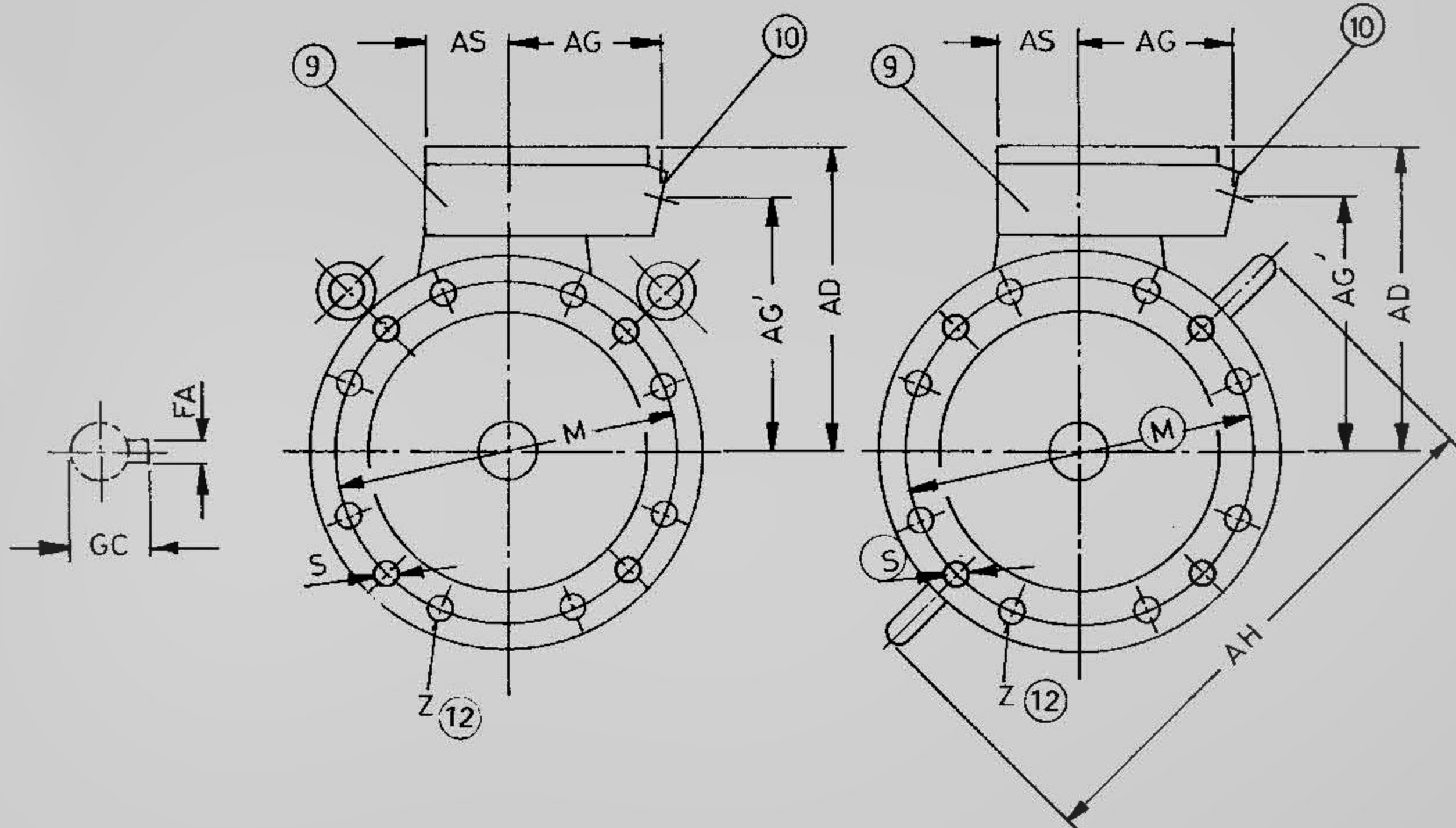
Email : unionengg@gmail.com, union_engg@yahoo.co.in

Website : www.unionengg.in

Construction : IMB5, IMV1

For constr. IMB5
(only upto Frame size 315M)

For constr. IMV1



Frame size	No. of Poles	Flange							
		⑩ Number	LA	M	N	P	S	T	⑫ Z
⑬ 160M	2....8	F300B	13	300	250	350	19	5	4
⑬ 160L	2....8								
180M	2....8	F350B	15	350	300	400	19	5	4
180L									
200L	2	F400B	16	400	350	450	19	5	8
	4....8								
225S/M	2	F500B	18	500	450	550	19	5	8
	4....8								
250M	2	F500B	18	500	450	550	19	5	8
	4....8								
280S/M	2	F500B	18	500	450	550	19	5	8
	4....8								
315S/M	2	F600B	22	600	550	660	24	6	8
	4....8								
315L	2	F600B	22	600	550	660	24	6	8
	4....8								
355L	2	F740B	25	740	680	800	24	6	8
	4....8								

- ① Shaft extension as per IS: 1231
- ② Protected centre hole M16 x 36
- ③ Protected centre hole M20 x 42
- ④ Protected centre hole M24 x 50
- ⑤ 2 Nos. B.S. Conduit Entry 31.8 (1 1/4")-IS:1653
- ⑥ 2 Nos. B.S. Conduit Entry 51 (2")-IS:1653
- ⑦ 2 Nos. B.S. Conduit Entry 63.5 (2 1/2")-IS:1653
- ⑧ Measured over bolt heads
- ⑨ Terminal box can be rotated in steps of 90°
- ⑩ For 160 and 180 Frames, slant of Cable entry integral with Terminal Box. For 200 to 355 Frames Cable End Box of detachable type.
- ⑪ Flange as per IS: 2223
- ⑫ No. of fixing holes.
- ⑬ 1LA0 motor only. Refer page 11 for 1SE0 motor

Definitive Dimensions (Upto 315L):

M,N,S,D,E,F, GA and LA are binding dimensions for all standard motors.

All other dimensions are subject to change. For valid dimensions, please contact Regional Office in your region.